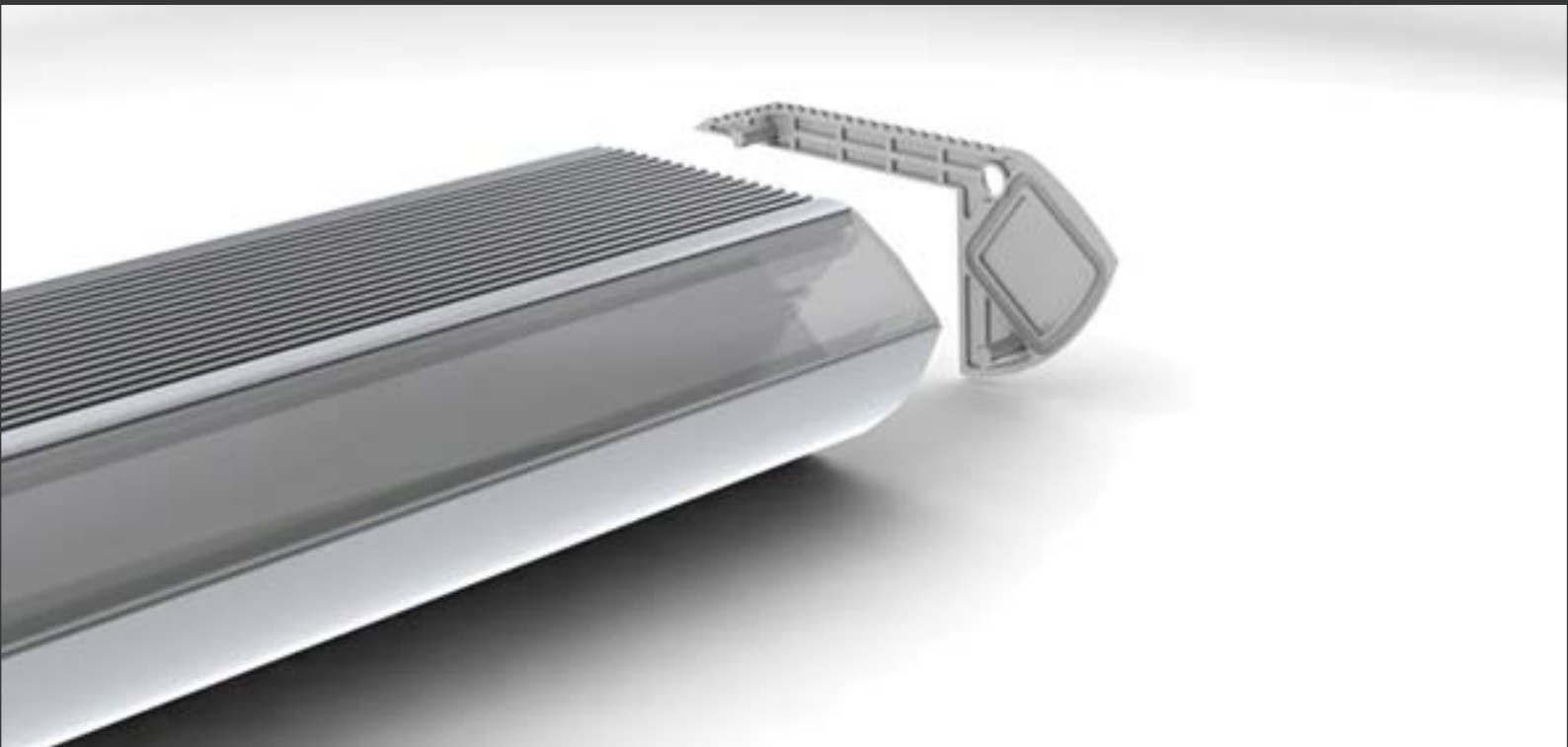


Quality alu LED profiles



Led profiles — catalogue 2013

Tel: +371 29577303 ■ E-mail: ledprofiles.baltics@gmail.com

Tel: +371 27036310 ■ E-mail: eltors@inbox.lv

www.eltors.lv

PROFILE SL15R

INTRODUCTION:

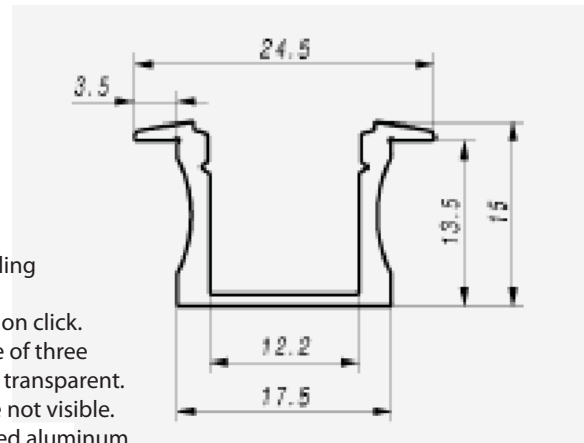
It is recessed type of the aluminum LED profile to build into material as MDF or other. The profile can be also recessed into door (with IP54 LED ribbon inside only), wall or ceiling and the wide edges of the profile will cover the edges of insertion row completely. Extruded polycarbonate, high quality diffuser now is placing/removing from the front on click. It is UV resistant, and damage resistant (walk over safe tested). Customer has a choice of three types of the diffusers what can be placed into that LED profile, frosted, 50% frosted and transparent. The fully frosted diffuser do not shows led dots on the diffuser surface and the LEDs are not visible. Frosted diffuser is giving nice smooth light line. Base of the profile is made from anodized aluminum in standard silver color.

The product can be customizing like anodized in 9 different colors, and paint in any RAL color. Additionally on the outside surface we can place tin/screech resistant foil, which imitates the wood structure on the profile for perfect match with kitchen cabinets. All most popular woods structure foils are available. Profile is available on stock in 1m or 2m sections with nish accessories as end caps or mounting brackets.

The aluminum profile will provide mechanical and thermal protection for the LEDs. The profile can be use with high power LEDs up to 1W each. LED profiles are IP20 can be use outside with IP67 led ribbons only.

APPLICATIONS:

- Recessed under kitchen cabinets LED lighting
- Floor led lighting (with IP54 led's)
- Recessed storage shelves LED lighting
- Gypsum ceiling, wall accent LED lighting
- Furniture production
- Exhibition booth LED lighting
- Interior LED accent lighting



SL15R



Quality alu LED profiles

www.eltors.lv

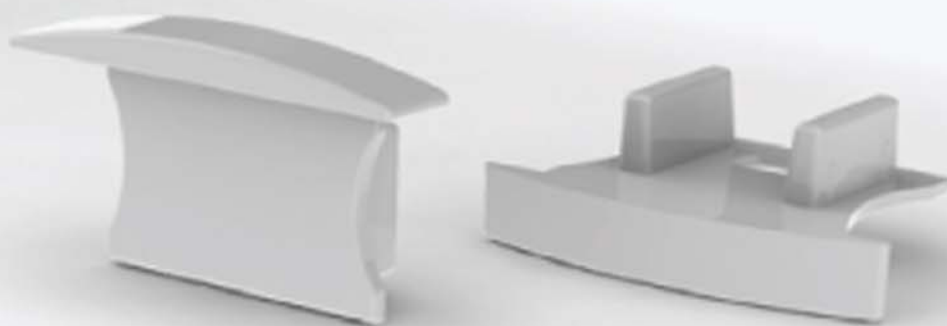
Tel: +371 27036310
+371 2 95 77 303
E-mail: ledprofiles.baltics@gmail.com
eltors@inbox.lv

PROFILE SL15R

NEW



End cups SL15R-0



SL15R-1



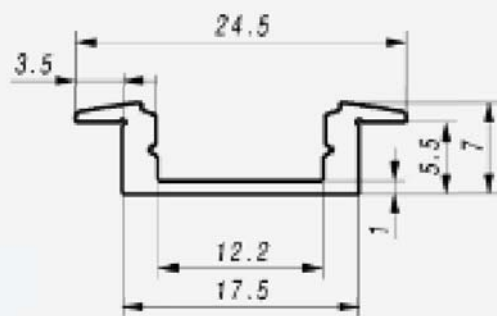
SL15R

Quality alu LED profiles

www.eltors.lv

Tel: +371 27036310
+371 295 77 303
E-mail: ledprofiles.baltics@gmail.com
eltors@inbox.lv

PROFILE SL7R



FEATURES:

- Recessed type with clean design
- Cover up the edges of the mill
- Very low profile, only 7mm high
- Perfect for low power LED stripes
- Diuser placed/removed from the top
- Designed for indoor use only
- Available with frosted or clear diuser
- Made from aluminum / anodized
- Available in lengths of 1m or 2m

APPLICATIONS:

- Kitchen cabinets LED lighting
- Furniture production
- Interior accent lighting
- Shop shelf exposition LED lighting
- Exhibition stands



Quality alu LED profiles

www.eltors.lv

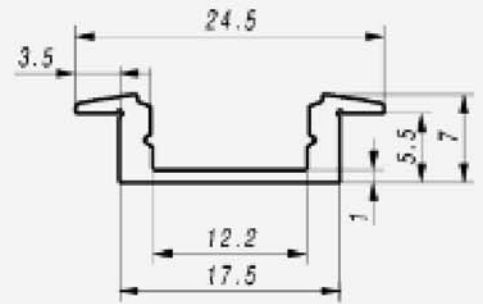
PROFILE SL7R

FEATURES:

Recessed type with clean design
Cover up the edges of the mill
Very low profile, only 7mm high
Perfect for low power LED stripes
Diuser placed/removed from the top
Designed for indoor use only
Available with frosted or clear diuser
Made from aluminum / anodized
Available in lengths of 1m or 2m

APPLICATIONS:

Kitchen cabinets LED lighting
Furniture production
Interior accent lighting
Shop shelf exposition
LED lighting
Exhibition stands



End cups SL7R-1



SL7R

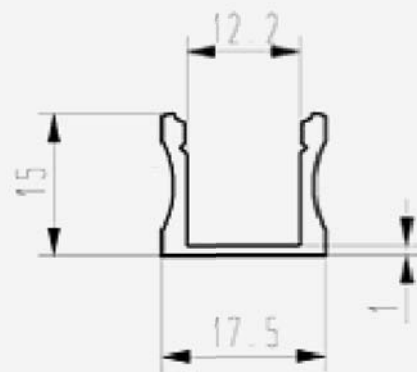
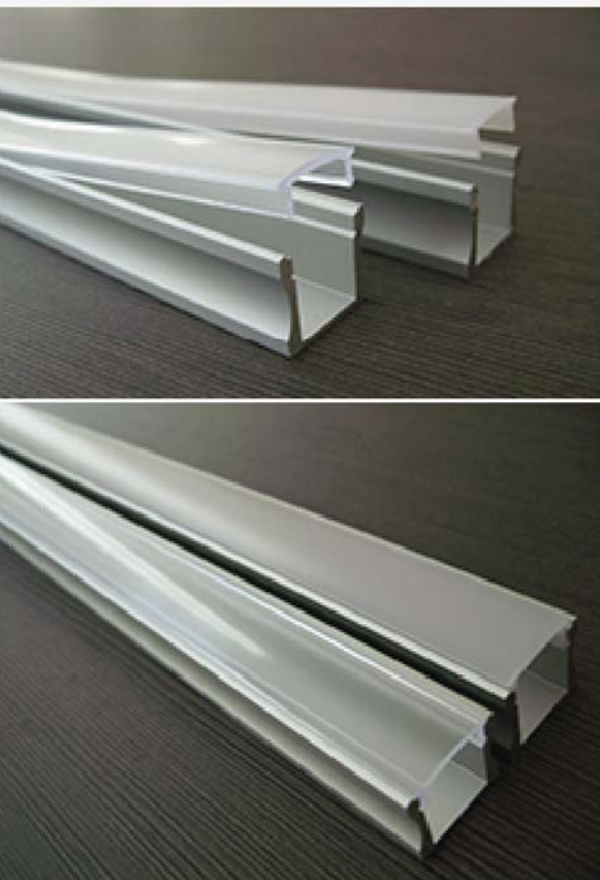
SL7R-0

Quality alu LED profiles

www.eltors.lv

Tel: +371 27036310
+371 2 95 77 303
E-mail: ledprofiles.baltics@gmail.com
eltors@inbox.lv

PROFILE SL15



FEATURES:

- High quality diuser, placing/removing from front on click
- Led dots free prole (frosted)
- Walk on safe diuser, UV resistant polycarbonate diuser
- Available with 50% frosted, frosted and transparent diuser
- LED dots free on frosted diuser (high density LED's ribbon)
- Made from anodizing aluminum
- Suitable for low/high power led bars
- Available lengths – 1m, 2m
- Heat sink and physical protection to the LEDs
- For indoor use only

APPLICATIONS:

- Furniture production (kitchen / oce)
- Interior light design (stairs / storage / oor)
- Stores shelf LED lighting
- Independent LED lamp
- Exhibition boot LED lighting



Quality alu LED profiles

www.eltors.lv

Tel: +371 27036310
+371 295 77 303
E-mail: ledprofiles.baltics@gmail.com
eltors@inbox.lv

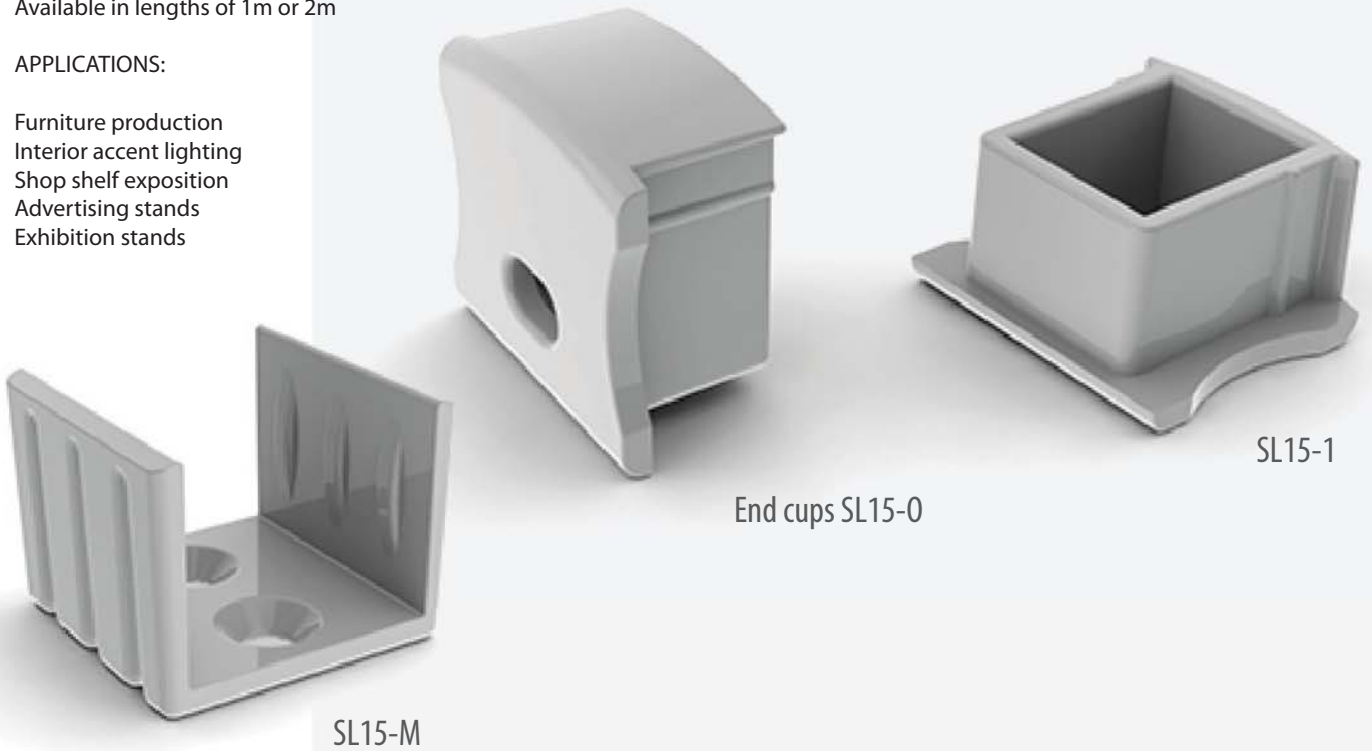
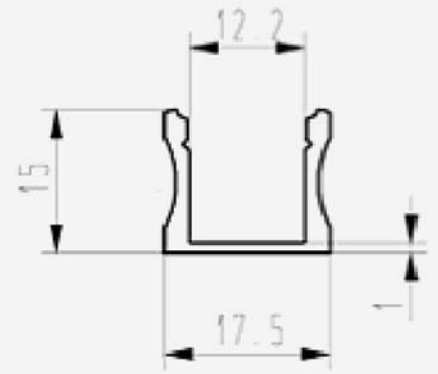
PROFILE SL15

FEATURES:

- Clean design
- Suitable for high power LED bars
- Diuser placed/removed from the top
- Designed for indoor use only
- Available with frosted or clear diuser
- Made from aluminum / anodized
- Available in lengths of 1m or 2m

APPLICATIONS:

- Furniture production
- Interior accent lighting
- Shop shelf exposition
- Advertising stands
- Exhibition stands



Quality alu LED profiles

www.eltors.lv

Tel: +371 27036310
+371 2 95 77 303
E-mail: ledprofiles.baltics@gmail.com
eltors@inbox.lv

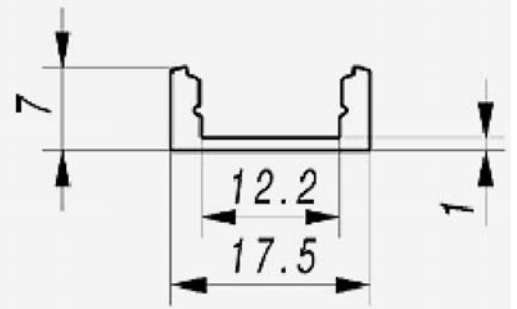
PROFILE SL7

FEATURES:

- High quality diuser, placing/removing from front on click
- Walk on safe diuser, UV resistant polycarbonate diuser
- Available with opal, 50% opal and transparent diuser
- Available lengths – 1m, 2m, 3,5m (large quantity orders)
- Made from anodizing aluminum
- Suitable mostly for exible led stripes
- For indoor use only
- Low prole only 7mm high

APPLICATIONS:

- Furniture production (kitchen / oce)
- Interior light design (stairs / storage / oor)
- Stores shelf LED lighting
- Independent LED lamp
- Exhibition boot LED lighting



Quality alu LED profiles

www.eltors.lv

Tel: +371 27036310
+371 2 95 77 303
E-mail: ledprofiles.baltics@gmail.com
eltors@inbox.lv

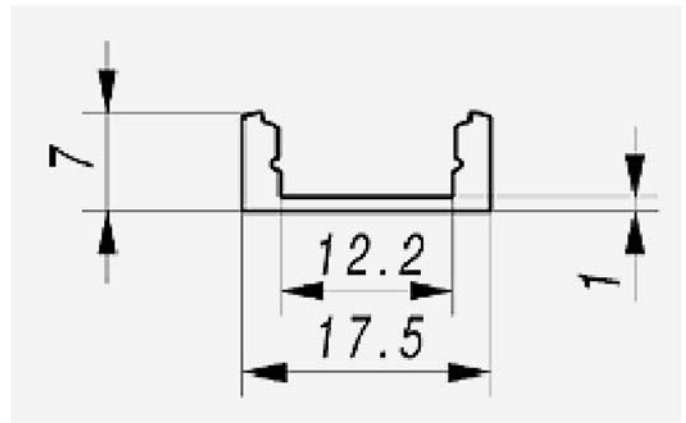
PROFILE SL7

FEATURES:

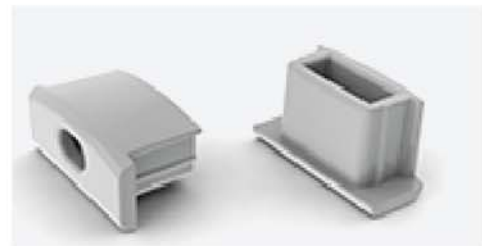
- High quality diuser, placing/removing from front on click
- Walk on safe diuser, UV resistant polycarbonate diuser
- Available with opal, 50% opal and transparent diuser
- Available lengths – 1m, 2m, 3,5m (large quantity orders)
- Made from anodizing aluminum
- Suitable mostly for exible led stripes
- For indoor use only
- Low prole only 7mm high

APPLICATIONS:

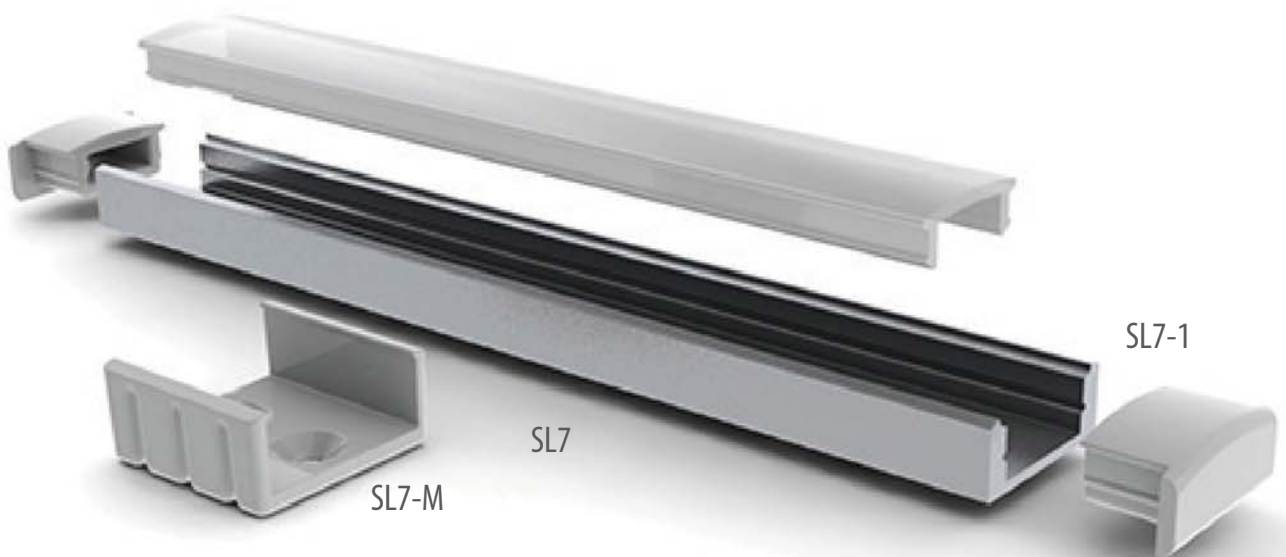
- Furniture production (kitchen / oce)
- Interior light design (stairs / storage / oor)
- Stores shelf LED lighting
- Independent LED lamp
- Exhibition boot LED lighting



SL7-M



End cups SL7-0



Quality alu LED profiles

www.eltors.lv

Tel: +371 27036310
+371 2 95 77 303
E-mail: ledprofiles.baltics@gmail.com
eltors@inbox.lv

DIFFUSER FOR PROFILE SL7, 15 (SLR7, SLR15)

with lens 30° and 60° degrees



End caps for profile SL7
with lens 30° and 60° degrees

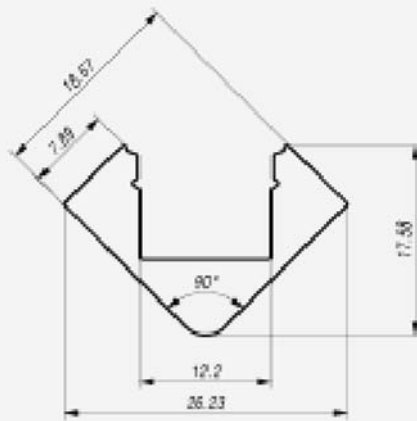
Quality alu LED profiles

www.eltors.lv

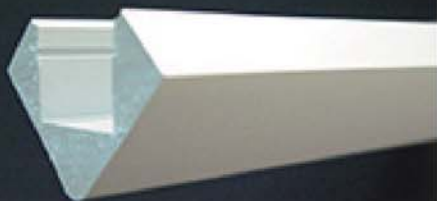
Tel: +371 27036310
+371 29577303
E-mail: ledprofiles.baltics@gmail.com
eltors@inbox.lv

PROFILE ALU-45 (45 degree light angle)

Profile is made from anodized aluminum with 45° degree light emitting angle. ALU-45 has been designed to fit in any corner LED lighting application. The light emitted by the LEDs is directed by the profile in 45° degree angle and does not blind the person who is standing in front of it. Large amount of aluminum provides excellent cooling condition (heat sink) for the high density LED bars or high power LED bars. The profile is available in anodized aluminum and RAL9010. Profile comes with polycarbonate UV resistant diffuser that now is placed into the profile from front on click. The customer has choice of transparent, 50% frosted and frosted diffuser.



Anodized



RAL9010



Quality alu LED profiles

www.eltors.lv

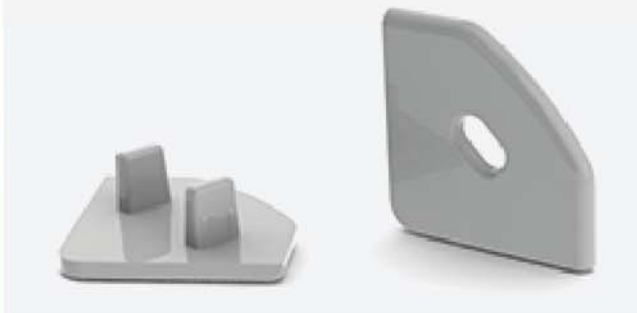
Tel: +371 27036310
+371 2 95 77 303

E-mail: ledprofiles.baltics@gmail.com
eltors@inbox.lv

ALU-45



End cup ALU 45-1



End cup w/out cable hole ALU 45-1

End cup w/out cable hole ALU 45-0



Mounting bracket ALU 45-M

FEATURES:

- High quality diffuser now placing from the front on click
- Polycarbonate UV resistant, damage resistant (walk over safe)
- Diffuser available in transparent, 50% opal and opal
- Base of the profile is made in anodized aluminum
- Profile available in RAL9010 and standard anode color
- Profile is available in lengths 1m/2m or 3,5m (large quantity order)
- ALU-CORNER is suitable for low power and high power leds
- Simplicity design with high quality finish

APPLICATIONS:

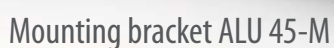
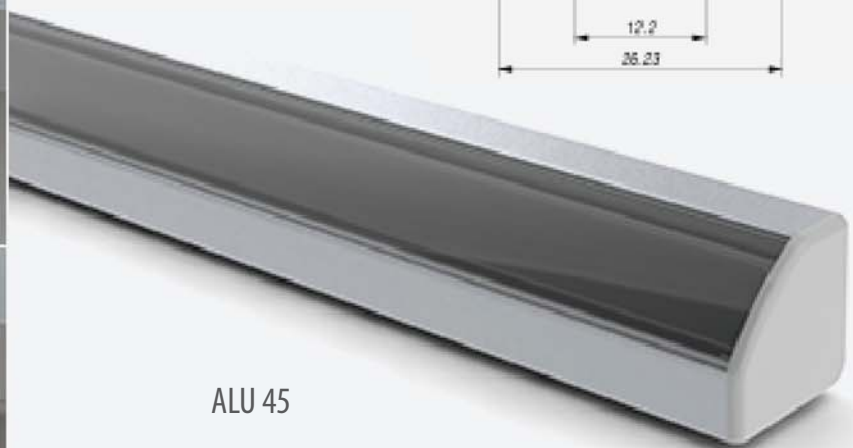
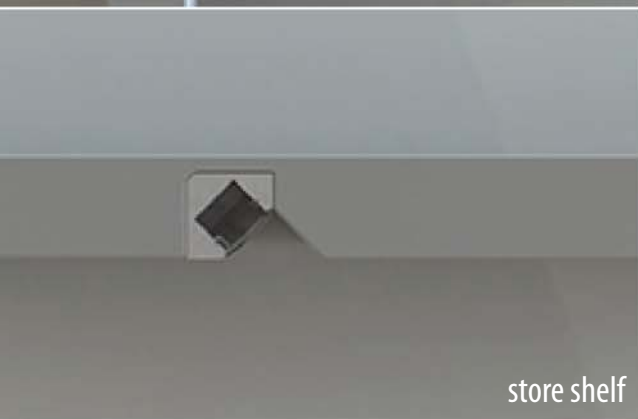
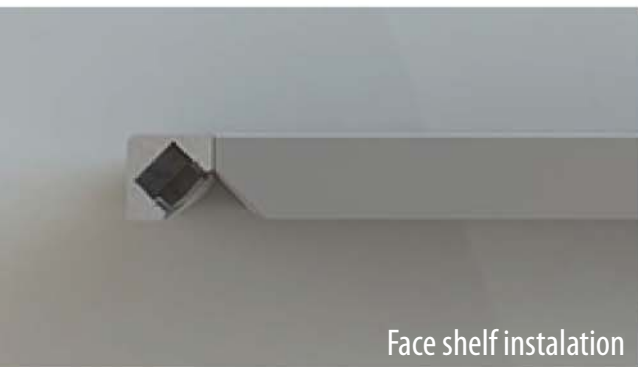
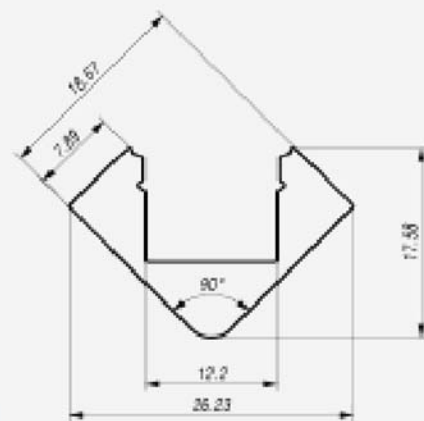
- Under kitchen cabinets LED lighting
- Stores shelves LED lighting
- Furniture production, inside cabinets LED lighting
- Storage shelves LED lighting
- Exhibition boot LED lighting
- Interior LED lighting

Quality alu LED profiles

www.eltors.lv

Tel: +371 27036310
+371 2 95 77 303
E-mail: ledprofiles.baltics@gmail.com
eltors@inbox.lv

ALU-45 INSTALATION OPTIONS



Quality alu LED profiles

www.eltors.lv

Tel: +371 27036310

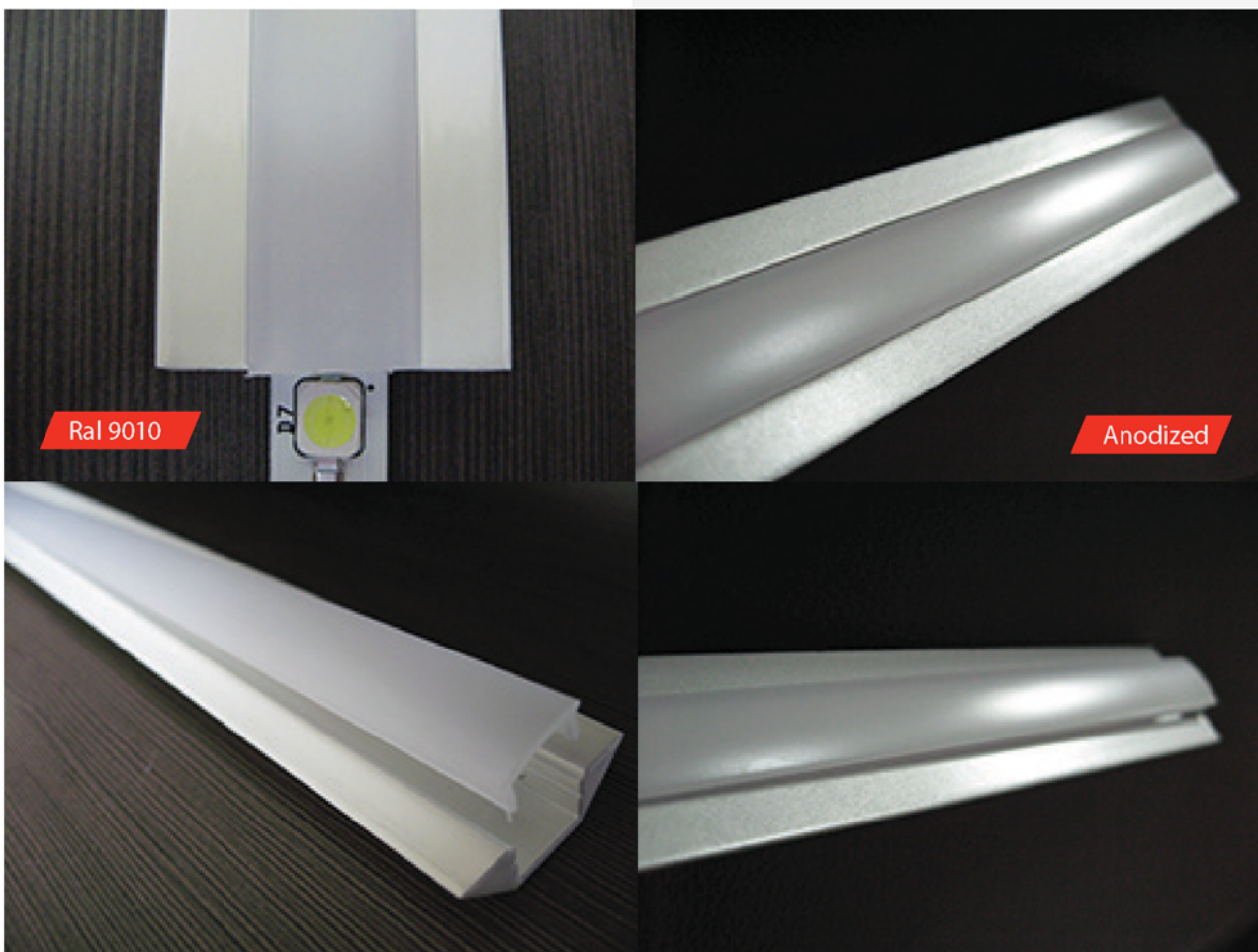
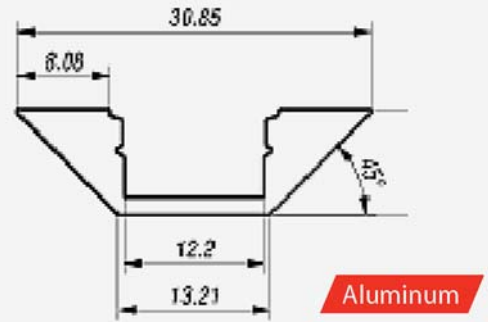
+371 2 95 77 303

E-mail: ledprofiles.baltics@gmail.com

eltors@inbox.lv

PROFILE ALU-C

Profile is made from anodizing aluminum with 45° LED light emitting angle. It is perfect solution for under kitchen cabinets, store shelves LED lighting. The light emitted by the leds is directed by the profile in 45° degree angle and do not blind the person who is standing in front of it. The profile is available in anodized version of aluminum and RAL9010. Profile comes with polycarbonate UV resistant diuser, which now is placed/removed, into the profile from front on click. The customer has choice of use transparent, 50% frosted and frosted diuser. Profile provides mechanical and thermal protection (heat sink) to the leds and is suitable for high power LED bars.

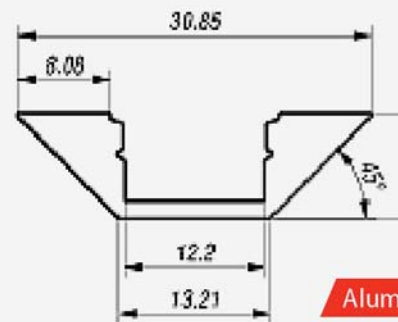


Quality alu LED profiles

www.eltors.lv

Tel: +371 27036310
+371 2 95 77 303
E-mail: ledprofiles.baltics@gmail.com
eltors@inbox.lv

ALU-C



Aluminum

Ral 9010

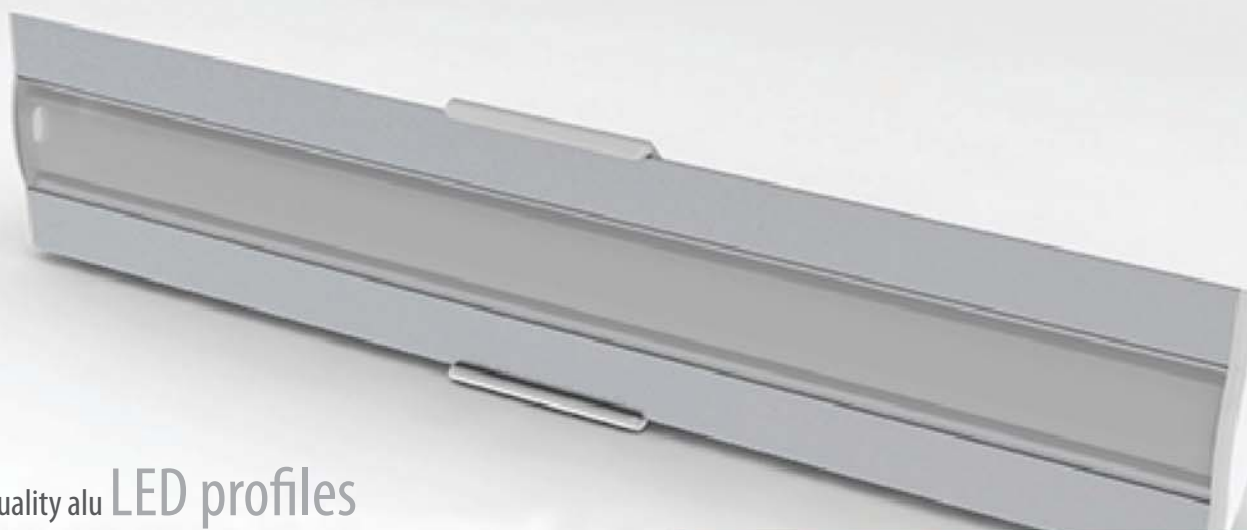


FEATURES:

- High quality diffuser now placed from the front on click
- Polycarbonate UV resistant, damage resistant (walk over safe)
- Diffuser available in transparent, 50% opal and opal
- Base of the profile is made in anodized aluminum
- Profile is available in RAL9010 and standard anodized color
- Profile is available in lengths 1m/2m or 3,5m (large quantity order)
- ALU-CORNER is suitable for low power and high power leds
- Simplicity in design with high quality finish

APPLICATIONS:

- Under kitchen cabinets LED lighting
- Stores shelves LED lighting
- Furniture production, inside cabinets LED lighting
- Storage shelves LED lighting
- Exhibition boot LED lighting
- Interior LED lighting



Quality alu LED profiles

www.eltors.lv

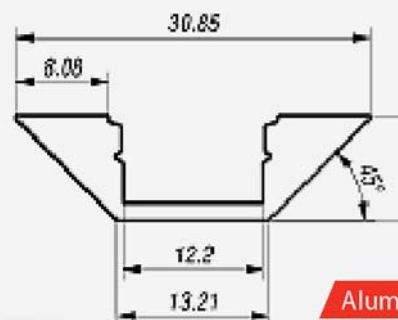
Tel: +371 27036310
+371 295 77 303

E-mail: ledprofiles.baltics@gmail.com
eltors@inbox.lv

Anodized

RAL9010

ALU-C ACCESSORIES



Aluminum

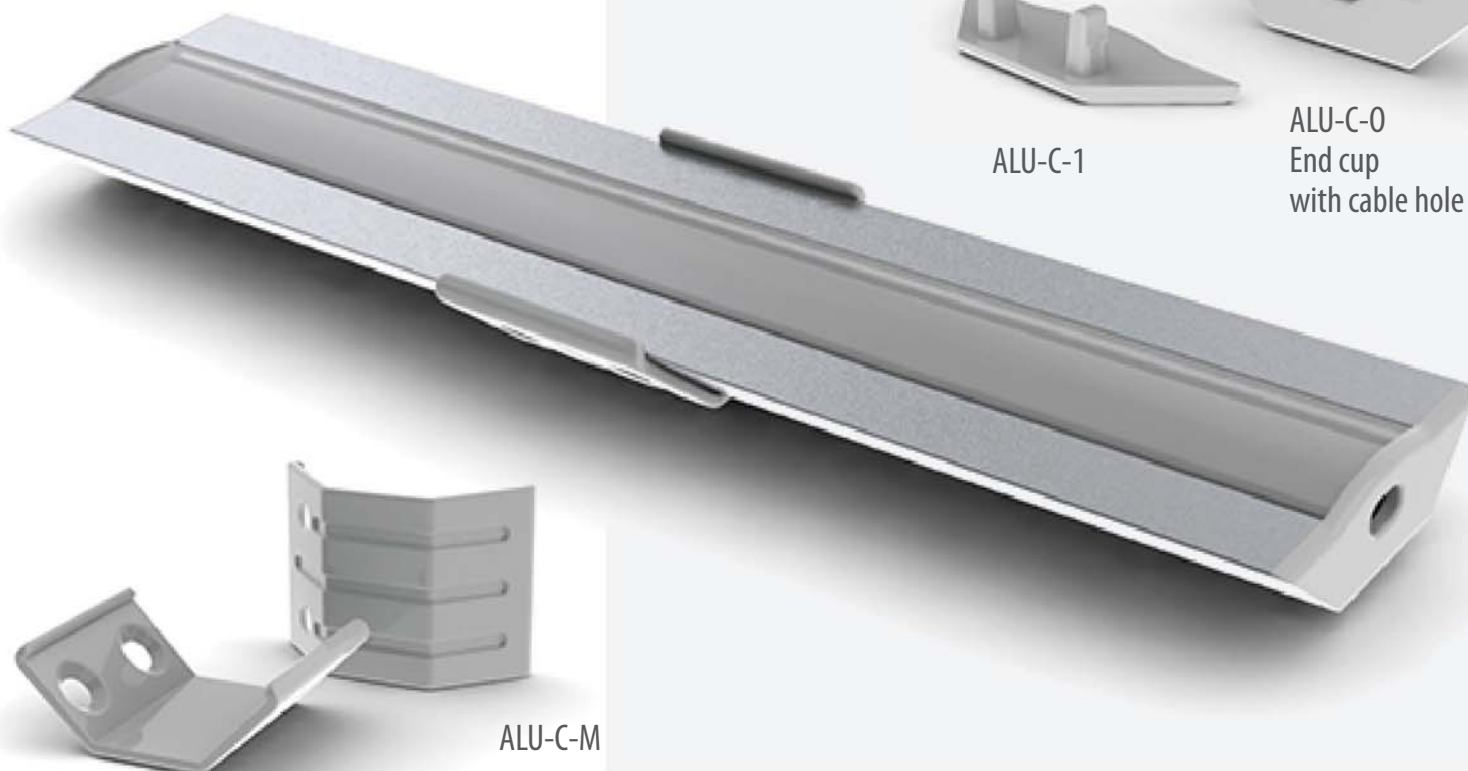


ALU-C-M Mounting bracket



ALU-C-1

ALU-C-0
End cap
with cable hole



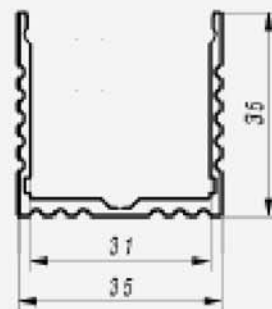
ALU-C-M

Quality alu LED profiles

www.eltors.lv

Tel: +371 27036310
+371 2 95 77 303
E-mail: ledprofiles.baltics@gmail.com
eltors@inbox.lv

PROFILE PL35



PROFILE PL35

This profile is dedicated to be used as the LED lighting fixture for main lighting at the offices, libraries, show rooms or above the kitchen table. It is made from anodized aluminum and is suitable for up to 32mm wide high power LED bars.

The profile can be suspended from the ceiling on the stainless steel wires or can be screwed directly to the surface. The profile comes with polycarbonate UV resistant frosted or transparent diffuser placed and removed from the front on click.

We have designed two types of nished end caps for two different installation options. The profile is available in lengths of 1m or 2m.

Quality alu LED profiles

www.eltors.lv

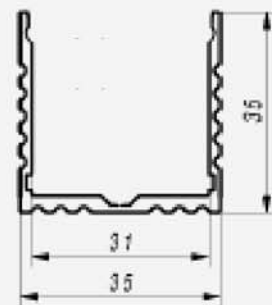
Tel: +371 27036310

+371 2 95 77 303

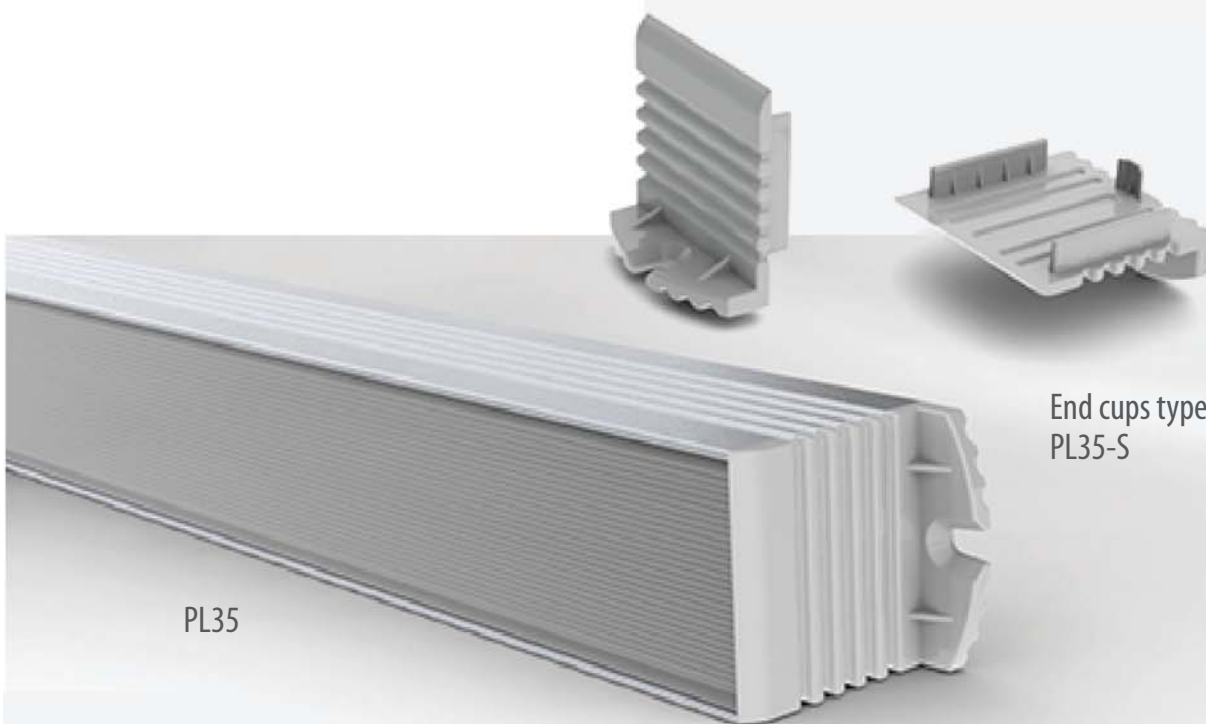
E-mail: ledprofiles.baltics@gmail.com

eltors@inbox.lv

PL35 ACCESSORIES



End cups type PL35-1



End cups type PL35-S

PL35

Quality alu LED profiles

www.eltors.lv

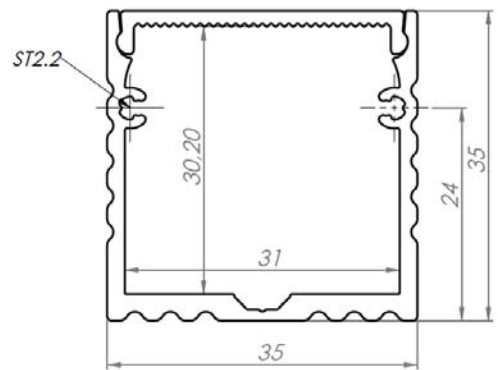
Tel: +371 27036310

+371 295 77 303

E-mail: ledprofiles.baltics@gmail.com

eltors@inbox.lv

PROFILE PL35-ALU



This profile is dedicated to be use as the LED lighting xture for main lighting atthe offices, libraries show rooms or above the kitchen table. It is made from anodized aluminum and is suitable for up to 32mm wide high power LED bars. The profile can be suspended from the ceiling on the stainless still wires or can be screw it directly to the surface. Profile comes with polycarbonate UV resistant frosted or transparent diffuser placed and removed from the front on click. We have designed two types of nished end cups for two dierent installation options. Profile is available in length of 1 m or 2m.

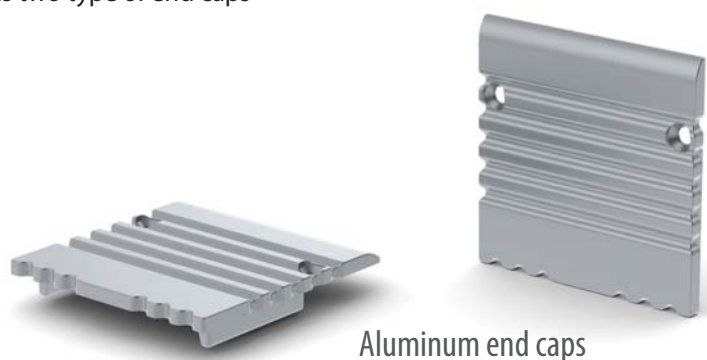


FEATURES:

- High standard of anodizing aluminum surface
- High Quality UV resistant polycarbonate snap in diffuser
- Two different light diffusers to choice from, frosted (LEDs dots free) and transparent
- LEDs DOTS FREE design (frosted diffuser)
- Contemporary design which can be suspended from the ceiling or surface installed
- Suitable for standard or high power LED stripes up to 30W/m
- Available on stock in anodized silver color
- Possible length and color customizing at MOQ
- Available on stock with dedicated accessories such as two type of end caps
- Indoor use only, IP20

APPLICATIONS:

- LED lamp component
- Retail store main ceiling LED lighting
- Suspended LED lighting lamp
- Exhibitions, hotels, restaurants main LED lighting
- Decorative linear LED lighting
- Exhibition boot LED lighting



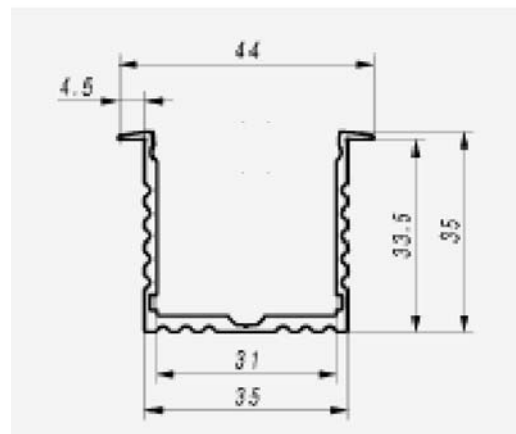
Aluminum end caps

Quality alu LED profiles

www.eltors.lv

Tel: +371 27036310
+371 2 95 77 303
E-mail: ledprofiles.baltics@gmail.com
eltors@inbox.lv

PROFILE PL35R



PROFILE PL35R

This profile is dedicated to build into the gypsum ceiling as the LED lighting fixture for main lighting at the offices, show rooms, restaurants and shops. It is made from anodized aluminum and is suitable for up to 32mm wide high power LED bars. The profile comes with polycarbonate UV resistant frosted or transparent diffuser placed and removed from the front on click. The light diffusion with the frosted diffuser is complete. PL35 is giving soft light on the whole surface. The profile is dedicated for the high power LED lighting. It is available in length of 1m or 2m.

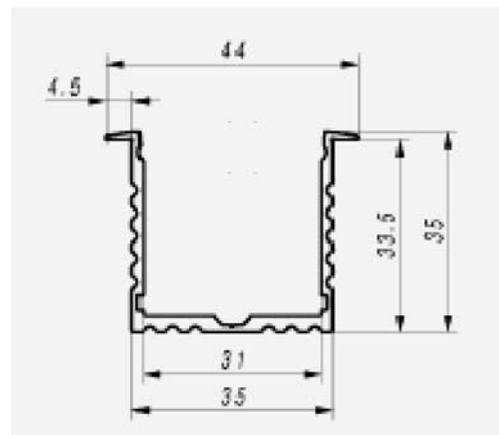


Quality alu LED profiles

www.eltors.lv

Tel: +371 27036310
+371 2 95 77 303
E-mail: ledprofiles.baltics@gmail.com
eltors@inbox.lv

PROFILE PL35R



PL35R

PL35R-1

FEATURES:

- High quality polycarbonate diffuser
- No LED dots shows on the diffuser surface
- Right high, soft and smooth light diffusion
- Diffuser is placed/removed from the top on click
- High quality anodized aluminum base
- Heavy duty "heat sink" for high power LEDs
- Compatible with our 30mm wide high power LED bars
- Matching finish end cups for this profile are available
- Gypsum ceiling installation
- Available in length of 2m/1m with clear or frosted diffuser

APPLICATION:

- Show rooms ceiling LED lighting
- Restaurants ceiling LED lighting
- Shopping malls LED lighting



Quality alu LED profiles

www.eltors.lv

Tel: +371 27036310

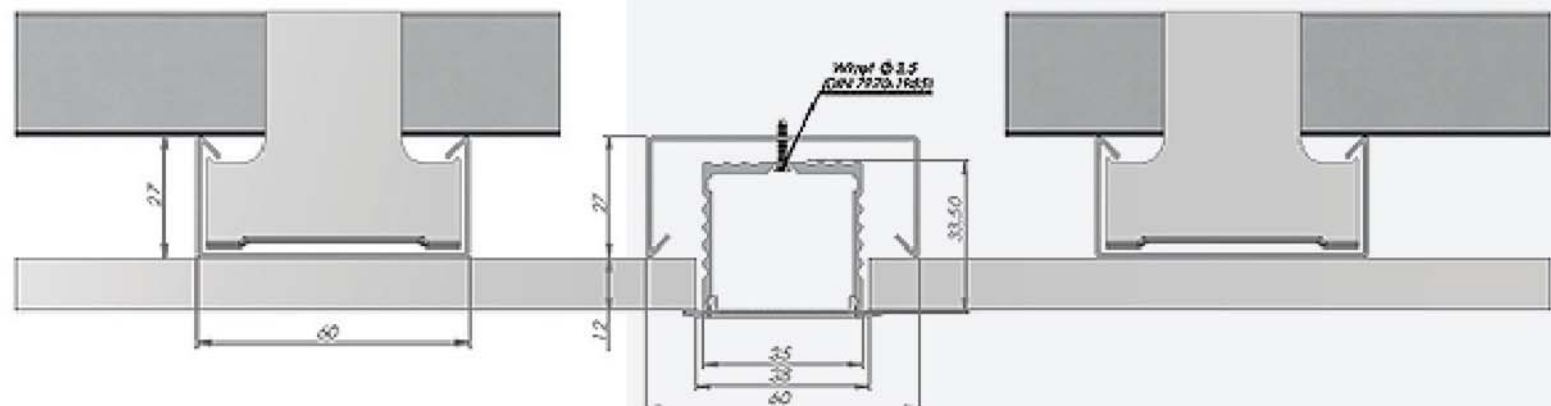
+371 295 77 303

E-mail: ledprofiles.baltics@gmail.com

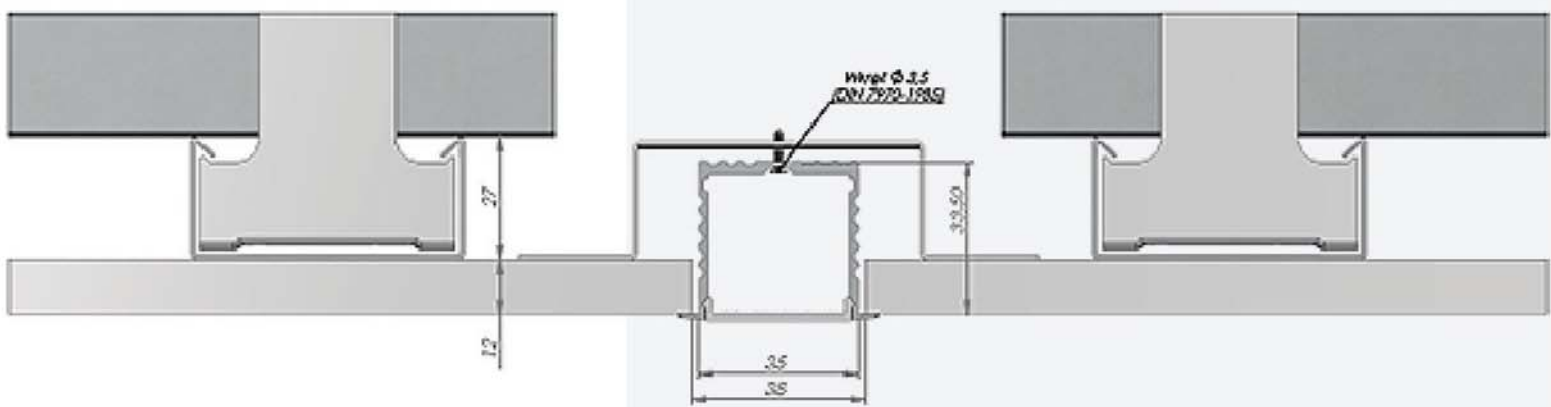
eltors@inbox.lv

PROFILE PL35R
INSTALLATION OPTIONS
Gypsum ceiling installation

OPTION 1. W/OUT FIRE RESTRICTIONS



OPTION 2. W/OUT FIRE RESTRICTIONS



Quality alu LED profiles

www.eltors.lv

Tel: +371 27036310

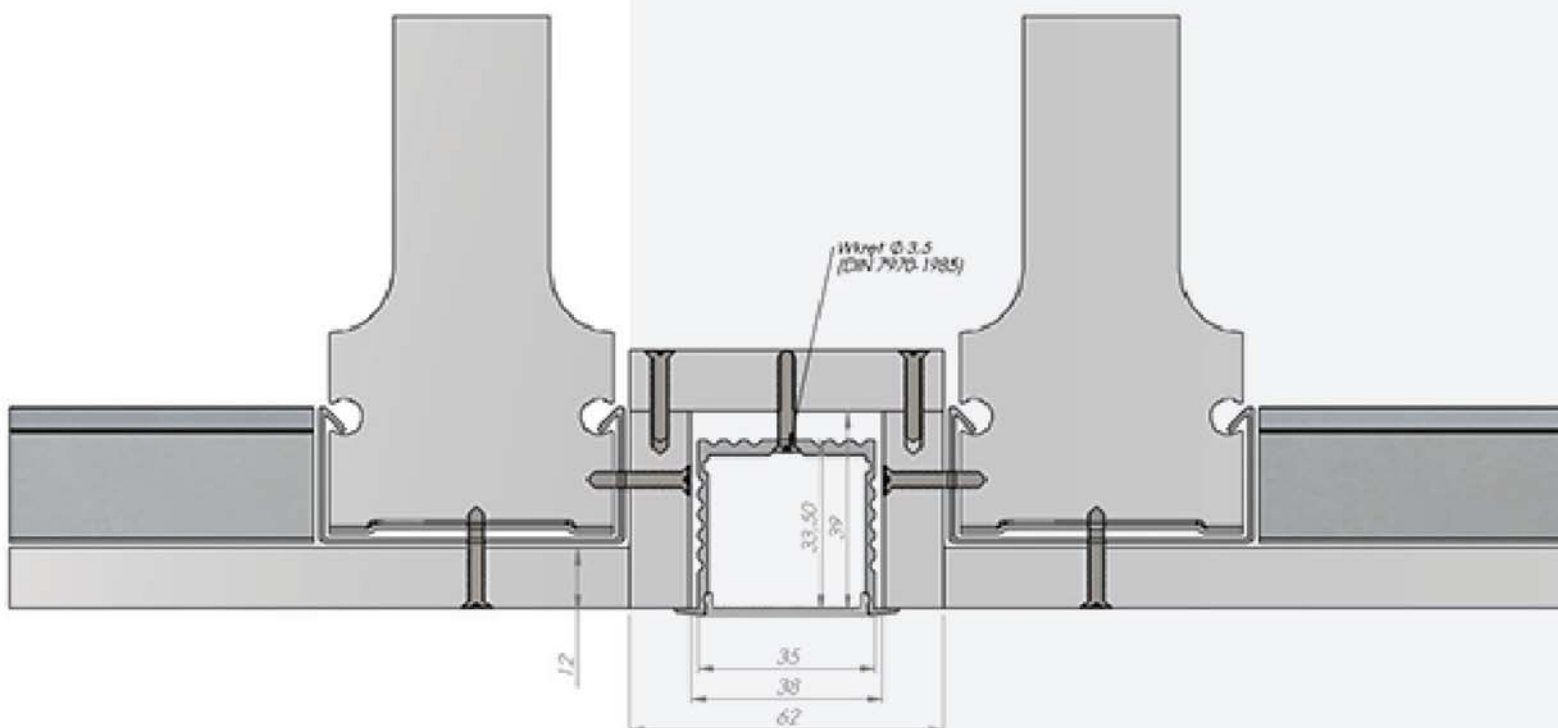
+371 2 95 77 303

E-mail: ledprofiles.baltics@gmail.com

eltors@inbox.lv

PROFILE PL35R INSTALATION OPTIONS

OPTION 3. WITH FIRE RESTRICTIONS

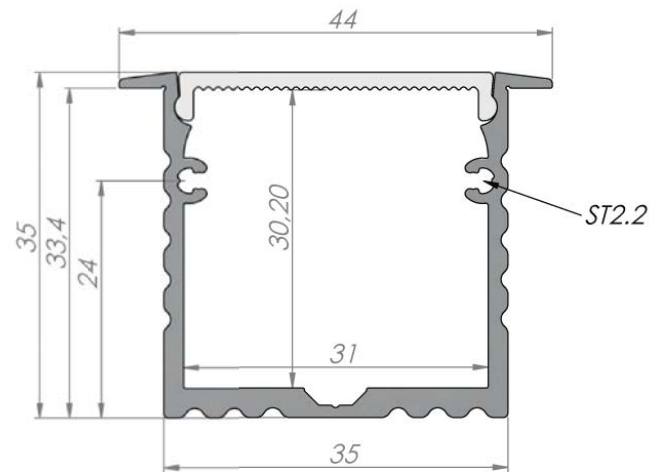


Quality alu LED profiles

www.eltors.lv

Tel: +371 27036310
+371 2 95 77 303
E-mail: ledprofiles.baltics@gmail.com
eltors@inbox.lv

PROFILE PL35R-ALU



FEATURES:

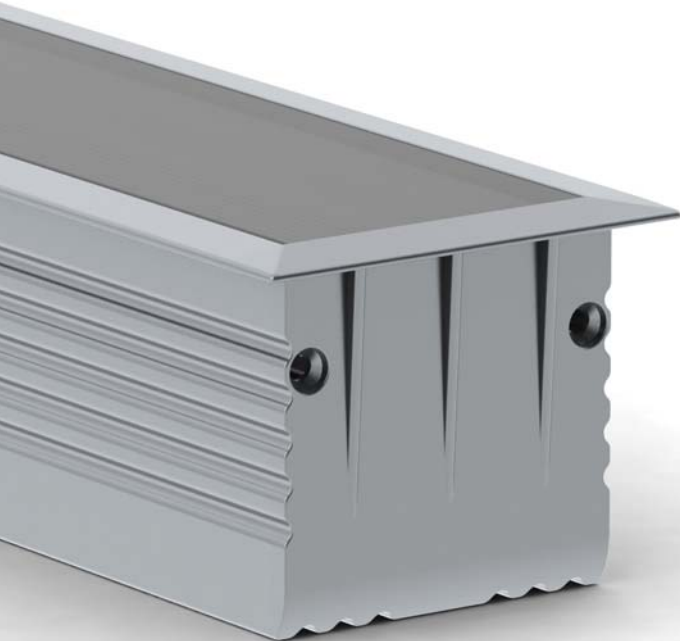
- High quality polycarbonate diffuser
- No LED dots shows on the diffuser surface
- Right high, soft and smooth light diffusion
- Diffuser is placed/removed from the top on click
- High quality anodized aluminum base
- Heavy duty "heat sink" for high power LEDs
- Compatible with our 30mm wide high power LED bars
- Matching finish end caps for this profile are available
- Gypsum ceiling installation
- Available in length of 2m/1 m with clear or frosted diffuser

APPLICATIONS:

- Show rooms ceiling LED lighting
- Restaurants ceiling LED lighting
- Shopping malls LED lighting



Aluminum end caps



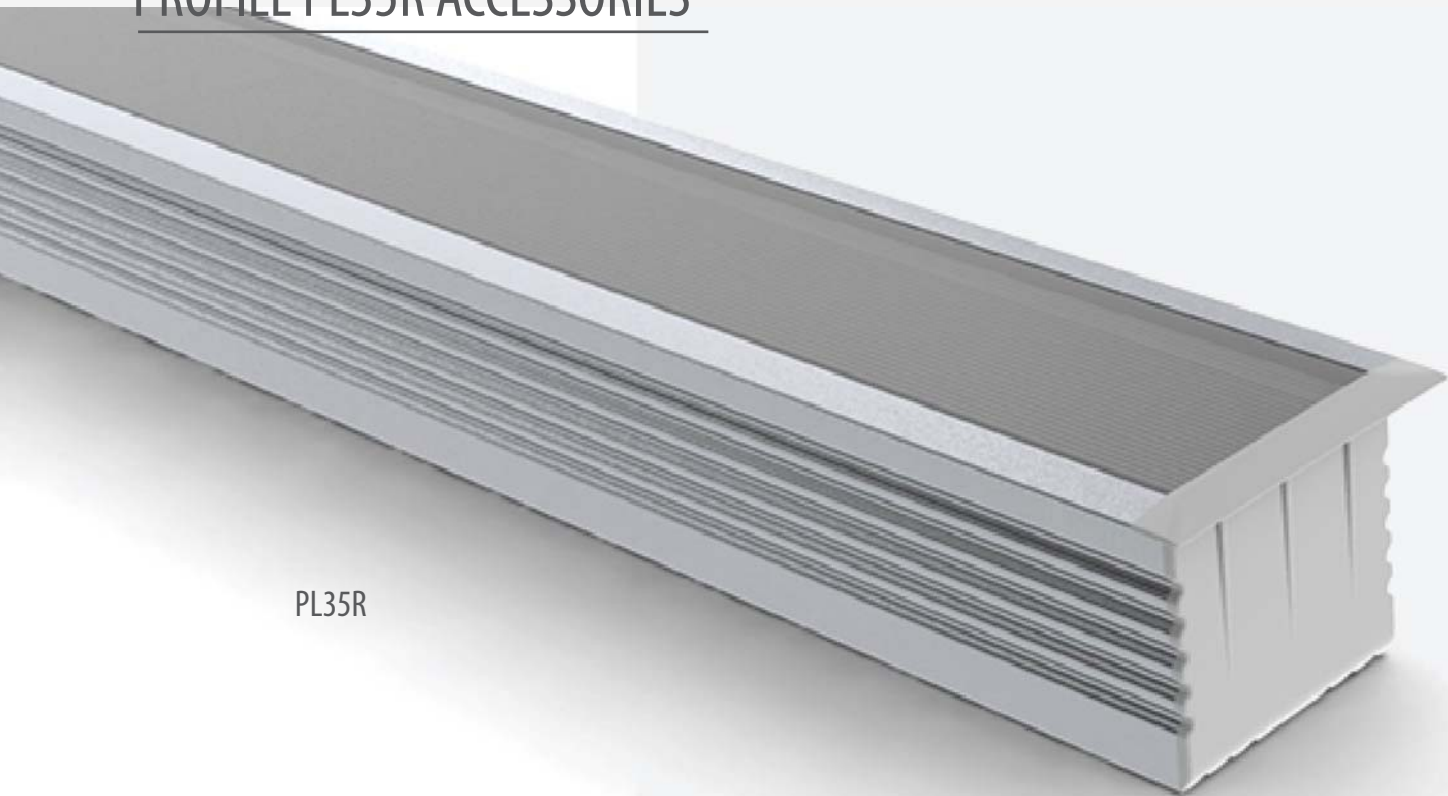
This profile is dedicated to build into the gypsum ceiling as the LED lighting fixture for main lighting at the offices, showrooms, restaurants and shops. It is made from anodized aluminum and is suitable for up to 32mm wide high power LED bars. Profile comes with polycarbonate UV resistant frosted or transparent diffuser placed and removed from the front on click. The light diffusion with the frosted diffuser is complete. RPL35 is giving soft light on the whole surface. Profile is dedicated for the high power LED lighting. It is available in length of 1 m or 2m.

Quality alu LED profiles

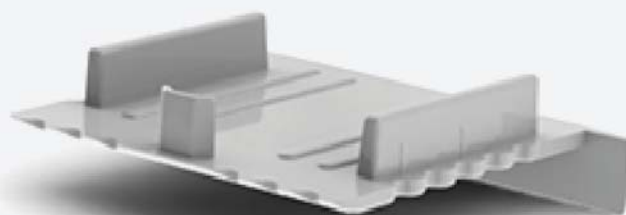
www.eltors.lv

Tel: +371 27036310
+371 295 77 303
E-mail: ledprofiles.baltics@gmail.com
eltors@inbox.lv

PROFILE PL35R ACCESSORIES



PL35R



PL35R-1

Quality alu LED profiles

www.eltors.lv

Tel: +371 27036310
+371 29577303
E-mail: ledprofiles.baltics@gmail.com
eltors@inbox.lv

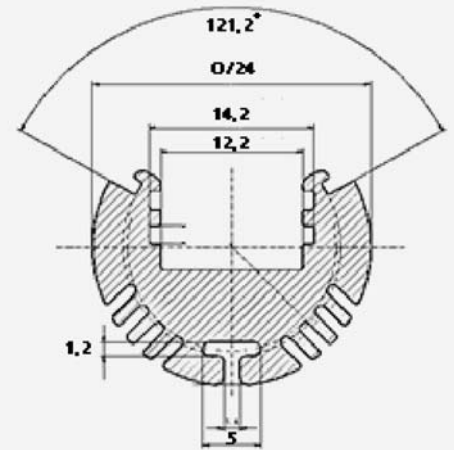
PROFILE ALU-R

FEATURES:

- High quality round shape polycarbonate diffuser
- Diffuser is placed/removed from the top on click
- High quality anodized aluminum base
- Heavy duty "heat sink" for high power LEDs
- Compatible with up to 12mm wide high power LED bars
- Available finish end cups and mounting system with angle regulation
- Two different installation options (wall or suspended)
- Available in length of 2m/1m with clear or frosted diffuser

APPLICATION:

- Hotels headboard bed reading lamp with angle regulation
- Show rooms track LED lighting
- Reception desk main LED lighting
- Restaurants above table main LED lighting
- Shopping boutiques exposition LED lighting



PROFILE ALU-R

This is small round shape LED pole with round diuser. It has been designed for high power led lighting. Massive aluminum weight provides excellent mechanical and thermal protection to the LEDs. The pole is made from anodized aluminum and it comes with round UV resistant polycarbonate clear or frosted diuser. The installation of the diuser is from the front on click. Installation and removing is easy and simple. It comes in 1 m or 2m sections and is suitable for high power led lighting.

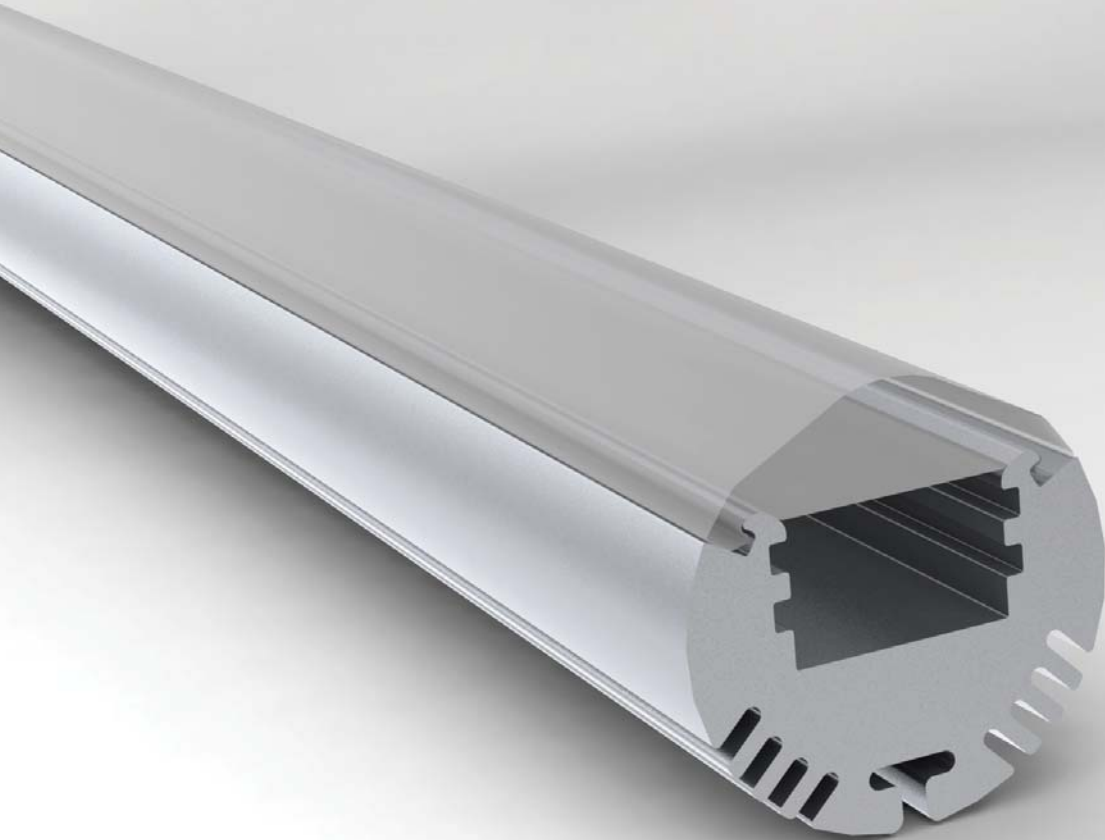
The ALU-ROUND can be installed in the wardrobe or closet as the clothes rod led lighting, in the jewelry cases, refrigerated cabinets at the grocery store and other places.

Quality alu LED profiles

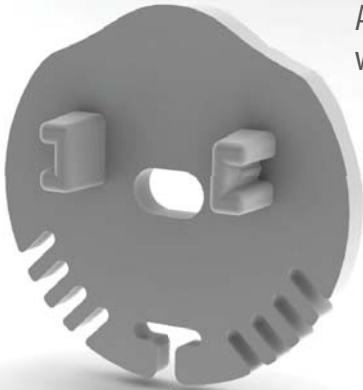
www.eltors.lv

Tel: +371 27036310
+371 2 95 77 303
E-mail: ledprofiles.baltics@gmail.com
eltors@inbox.lv

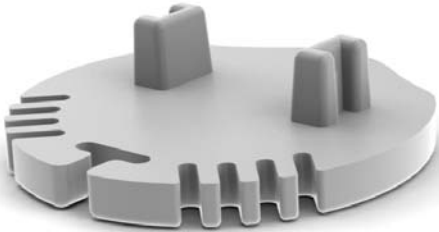
PROFILE ALU-R with lens 30° degrees



Aluminum end caps for profile ALU-R/30-0 with cable hole

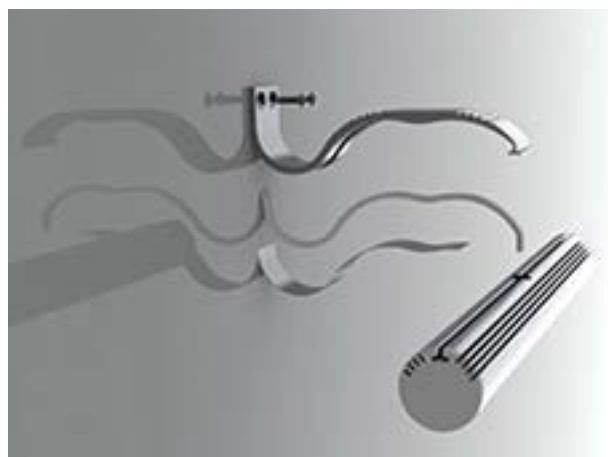


Aluminum end caps for profile ALU-R/30-1 without cable hole



Quality alu LED profiles

PROFILE ALU-R ACCESSORIES

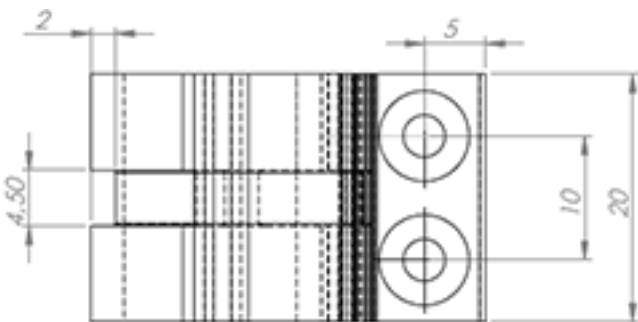


ALU-R-WA

This is specially dedicated wall arm for the Alu-Round LED profile. The special material will draw behind the profile is allowing us to slide in the arm and hold firmly in place the LED fixture.

The power feeding cable was transferred to the profile thru the wall arm the best possible way.

The profile now can be installed at any place on the wall lighting up the wall or some objects standing next to. The design of the wall arm is matching with the design of the Alu-Round profile.



Quality alu LED profiles

www.eltors.lv

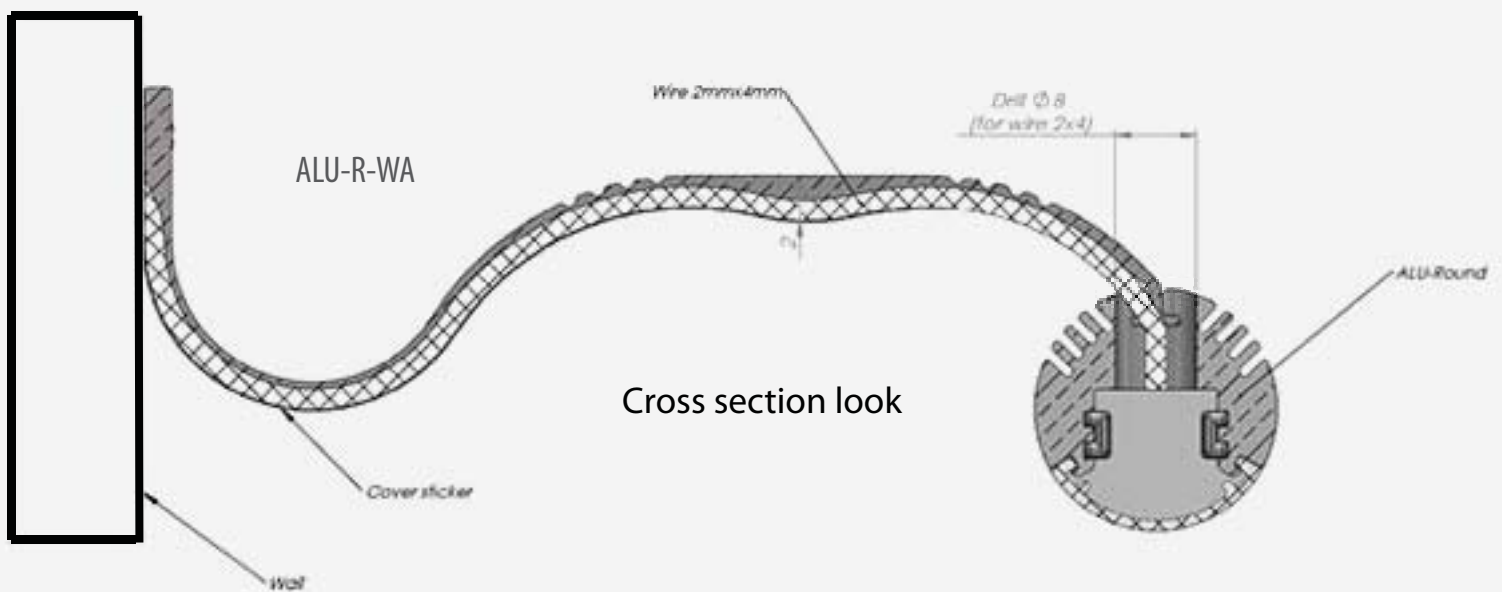
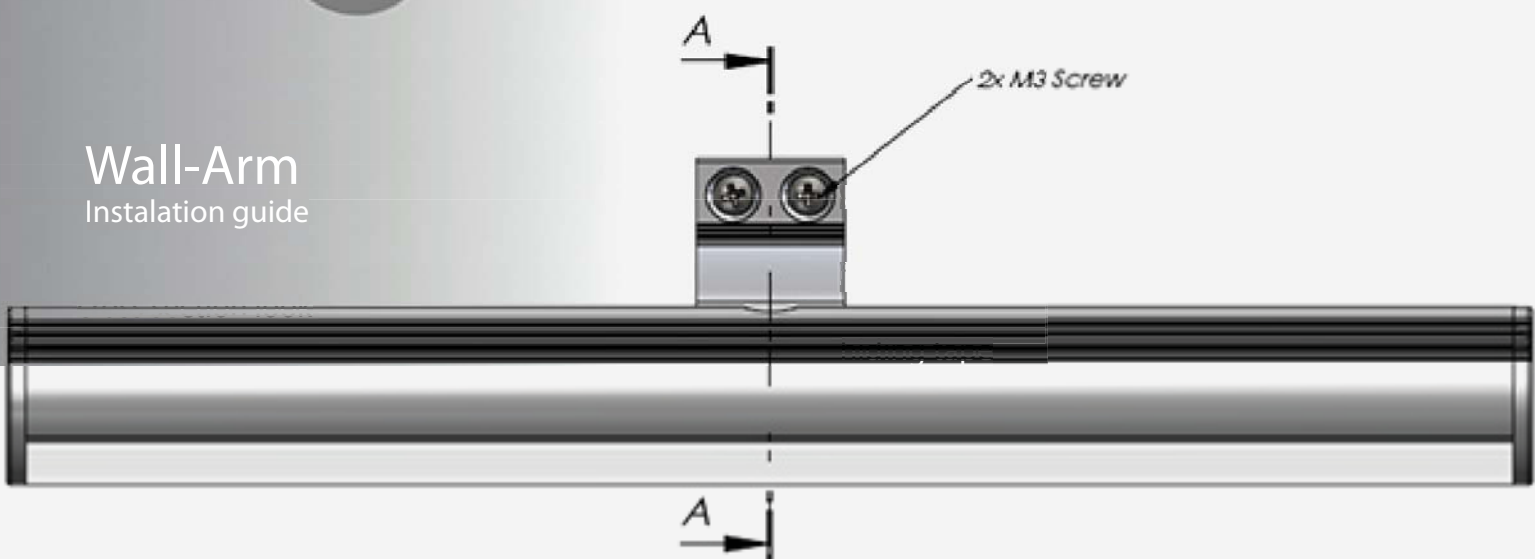
Tel: +371 27036310
 +371 2 95 77 303
 E-mail: ledprofiles.baltics@gmail.com
eltors@inbox.lv

PROFILE ALU-R ACCESSORIES

coming up NEW



Wall-Arm Installation guide



Quality alu LED profiles

www.eltors.lv

Tel: +371 27036310
+371 295 77 303
E-mail: ledprofiles.baltics@gmail.com
eltors@inbox.lv

PROFILE ALU-R ACCESSORIES



Art Lighting Arm

Art Lighting Arm



The main purpose for this arm is lighting from down or from above the objects such as art work, gallery, jewelry etc.

The light emitted by leds is directed in 45 degree angle

The arm is matching perfectly with the Alu-Round LED profile.

The feeding cable is hidden in the arm and can be covered by the sticky aluminum imitating tape



Quality alu LED profiles

www.eltors.lv

Tel: +371 27036310

+371 2 95 77 303

E-mail: ledprofiles.baltics@gmail.com

eltors@inbox.lv

PROFILE ALU-R ACCESSORIES

Fluent lighting angle regulation from 0-180 degree with the mounting clip ALU-R-M

ALU-R



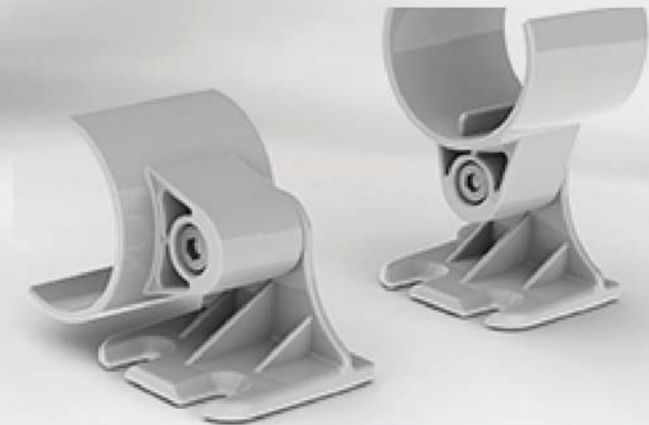
ALU-R-0



ALU-R-1



ALU-R-M



180° degree position

Quality alu LED profiles

www.eltors.lv

Tel: +371 27036310

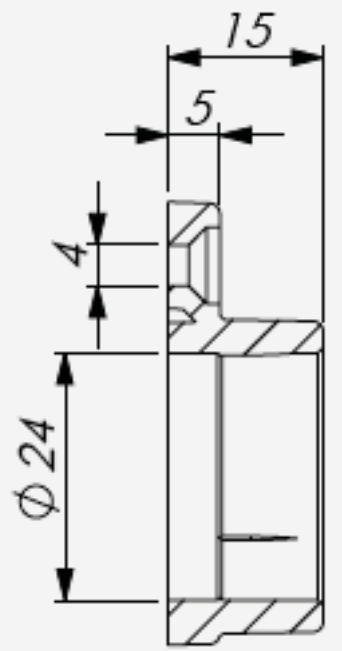
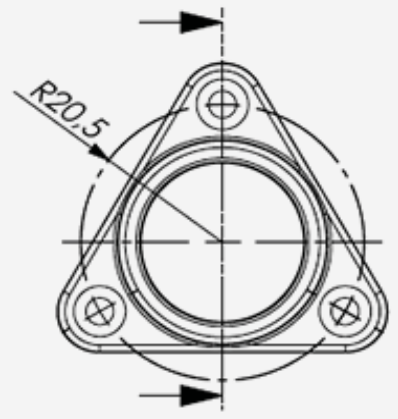
+371 295 77 303

E-mail: ledprofiles.baltics@gmail.com

eltors@inbox.lv

PROFILE ALU-R ACCESSORIES

Closet bracket for Alu-Round led profile



Wall to wall closet led rod (Alu-Round) installation



ALU-R-R
Closet bracket

Closet brackets are made from special material which do not brake during the screwing or heavy load



ALU-R



ALU-R-R

Quality alu LED profiles

www.eltors.lv

Tel: +371 27036310
 +371 295 77 303
 E-mail: ledprofiles.baltics@gmail.com
eltors@inbox.lv

PROFILE ALU-R ACCESSORIES

Intermediate support arm for Alu-Round led profile for closet mount



Stem mount of 1m led profile (Alu-Round) at the closet



Stem mount type of led profile (Alu-Round) at the closet with intermediate support arm



End mount type - 2m of led profile Alu-Round at the closet with closet brackets and intermediate support arm



End mount type
1m of led profile (Alu-Round)
at the closet with closet brackets
and intermediate support arm



Alu-Round
intermediate support arm
ALU-R-P

Quality alu LED profiles

www.eltors.lv

PROFILE ALU-R ACCESSORIES

Intermediate support arm for Alu-Round led profile for closet mount

Stem Mount



Quality alu LED profiles

www.eltors.lv

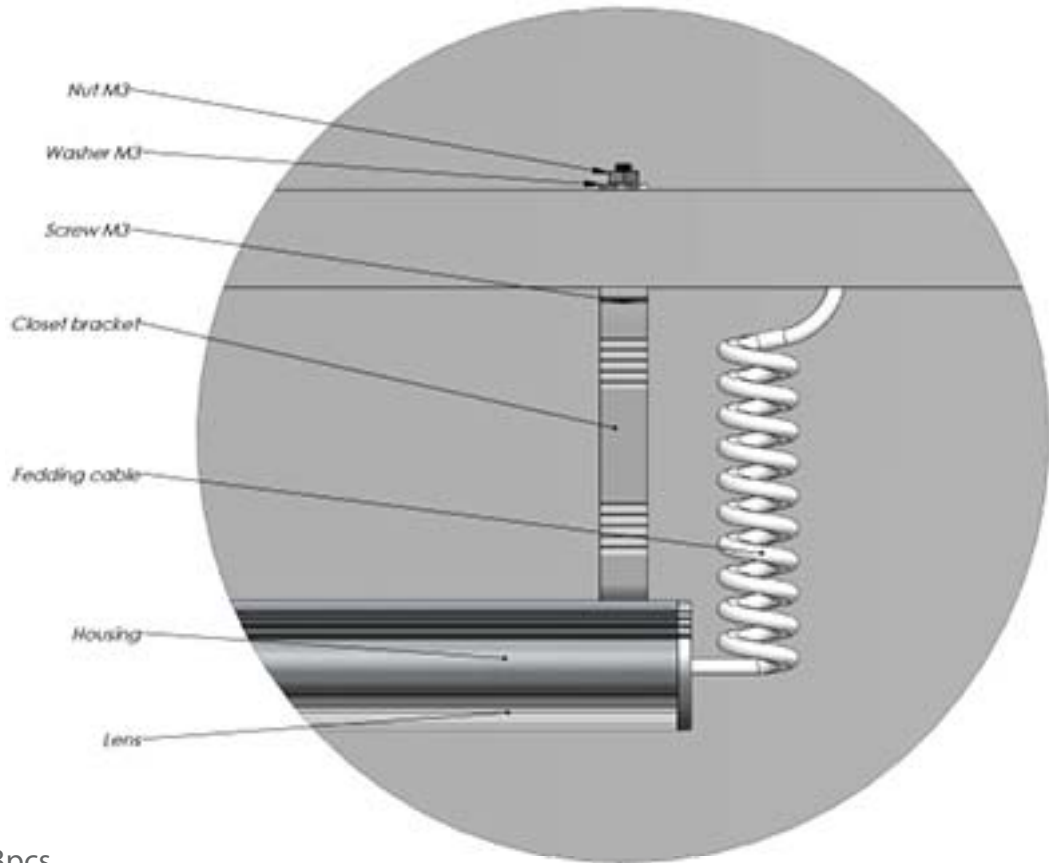
Tel: +371 27036310
+371 295 77 303
E-mail: ledprofiles.baltics@gmail.com
eltors@inbox.lv

Maximum capability of weight handling per one arm is 25kg

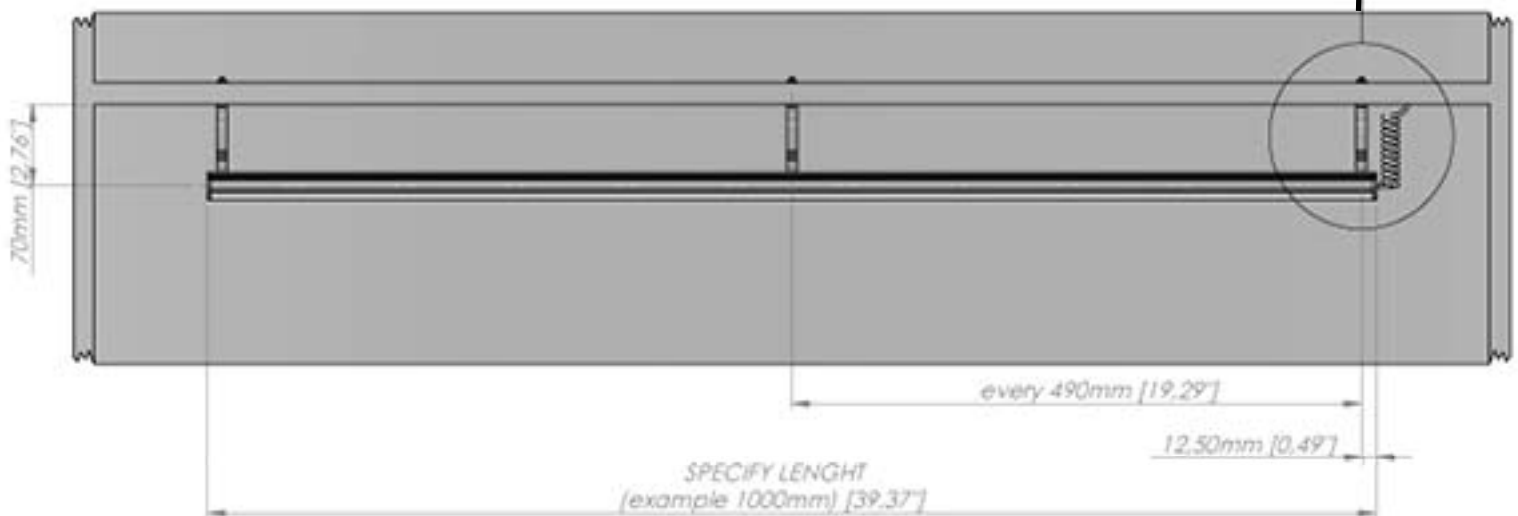
PROFILE ALU-R ACCESSORIES

Intermediate support arm for Alu-Round led profile for closet mount

Stem Mount



Intermediate supports
Length : 100cm/39,4" - 3pcs
200cm/78,8" - 5pcs



Quality alu LED profiles

www.eltors.lv

Maximum capability of weight handling per one arm is 25kg

Tel: +371 27036310

+371 2 95 77 303

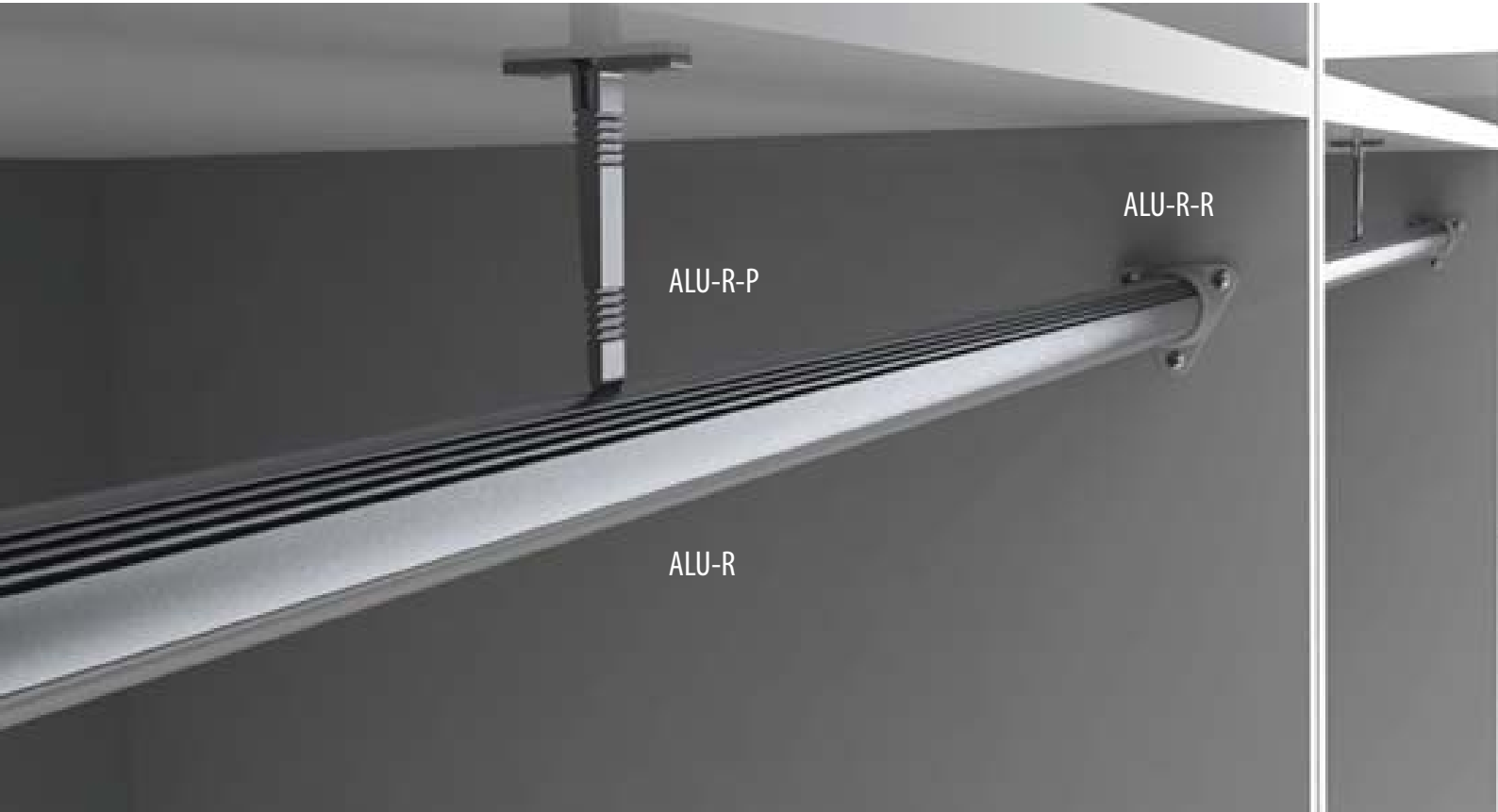
E-mail: ledprofiles.baltics@gmail.com

eltors@inbox.lv

PROFILE ALU-R ACCESSORIES

Intermediate support arm for Alu-Round led profile for closet mount

End Mount



Quality alu LED profiles

www.eltors.lv

Tel: +371 27036310
+371 295 77 303
E-mail: ledprofiles.baltics@gmail.com
eltors@inbox.lv

PROFILE ALU-R ACCESSORIES

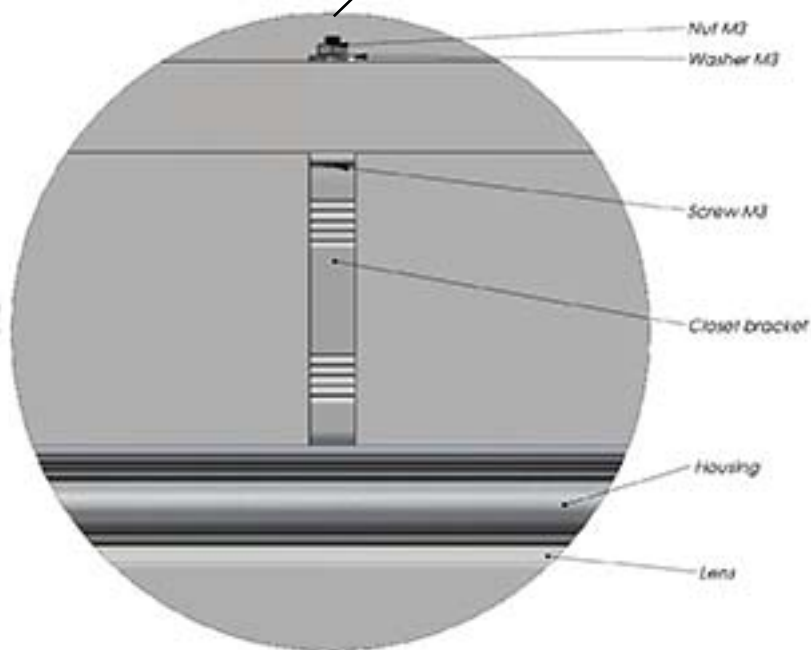
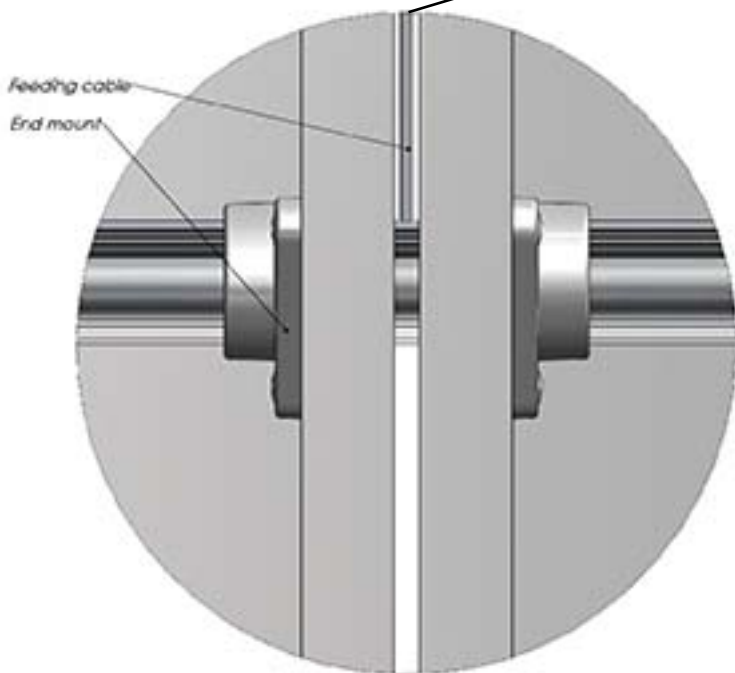
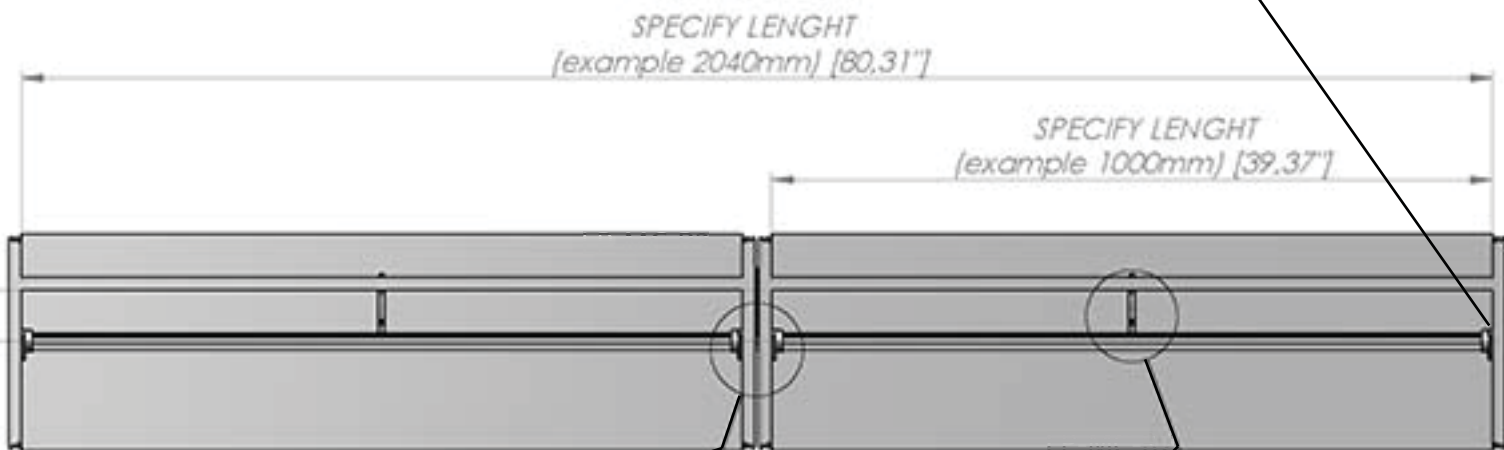
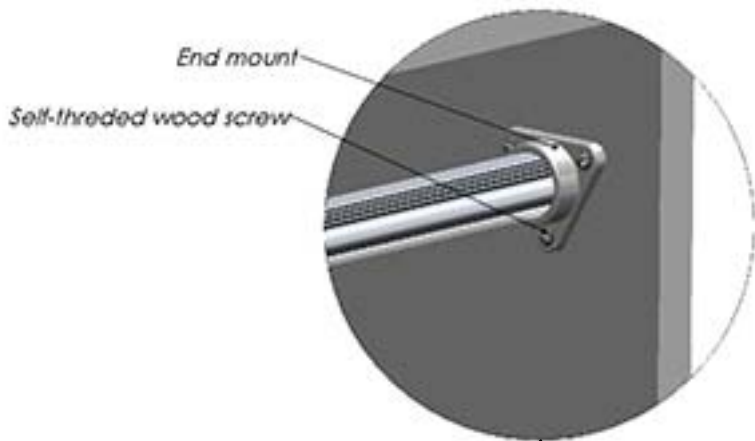
Intermediate support arm for Alu-Round led profile for closet mount

End Mount

Intermediate supports

Length : 100cm/39,4" - 1 pcs

200cm/78,8" - 2 pcs



Maximum capability of weight handling per one arm is 25kg

Quality alu LED profiles

www.eltors.lv

Tel: +371 27036310

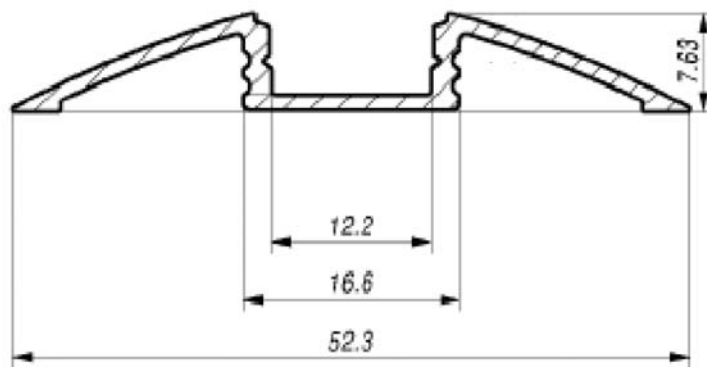
+371 2 95 77 303

E-mail: ledprofiles.baltics@gmail.com

eltors@inbox.lv

PROFILE ALU-F

Anodized / RAL9010



FEATURES :

- High quality diffuser now placed from the front on click
- Polycarbonate UV resistant, damage resistant (walk over safe)
- Diffuser available in transparent, 50% opal and opal
- Base of the profile is made in anodized aluminum
- Profile is available in RAL9010 and standard anodized color
- Profile is available in lengths 1m/2m or 3,5m (large quantity order)
- ALU-FLAT is suitable for low power and high power LEDs
- Simplicity in design with high quality finish
- Profile and diffuser is "walk over safe"
- Protection grade IP20



APPLICATIONS:

- Under kitchen cabinets LED lighting
- Stores shelves LED lighting
- Floor LED lighting
- Storage shelves LED lighting
- Exhibition booth LED lighting
- Interior LED lighting

ALU-FLAT LED PROFILE

Aluminum LED profile only 7,6mm. The aluminum profile walls thickness and the damage resistant diffuser allow you to walk over this profile. It has been positively tested and is "walk over" safe. The profile is available in anodized version of aluminum and RAL9010. Profile comes with polycarbonate UV resistant, damage resistant diffuser, which now is placed, into the profile from front for click. The customer has choice of use transparent, 50% frosted and frosted diffuser. Profile provides mechanical and thermal protection (heat sink) to the LEDs and is suitable for high power LED lighting. The profile has many different applications it can work as under store shelves independent LED lamp or can be installed on the floor to cover the connection and provide additional protection for the computer cables.

Quality alu LED profiles

www.eltors.lv

Tel: +371 27036310
+371 295 77 303
E-mail: ledprofiles.baltics@gmail.com
eltors@inbox.lv

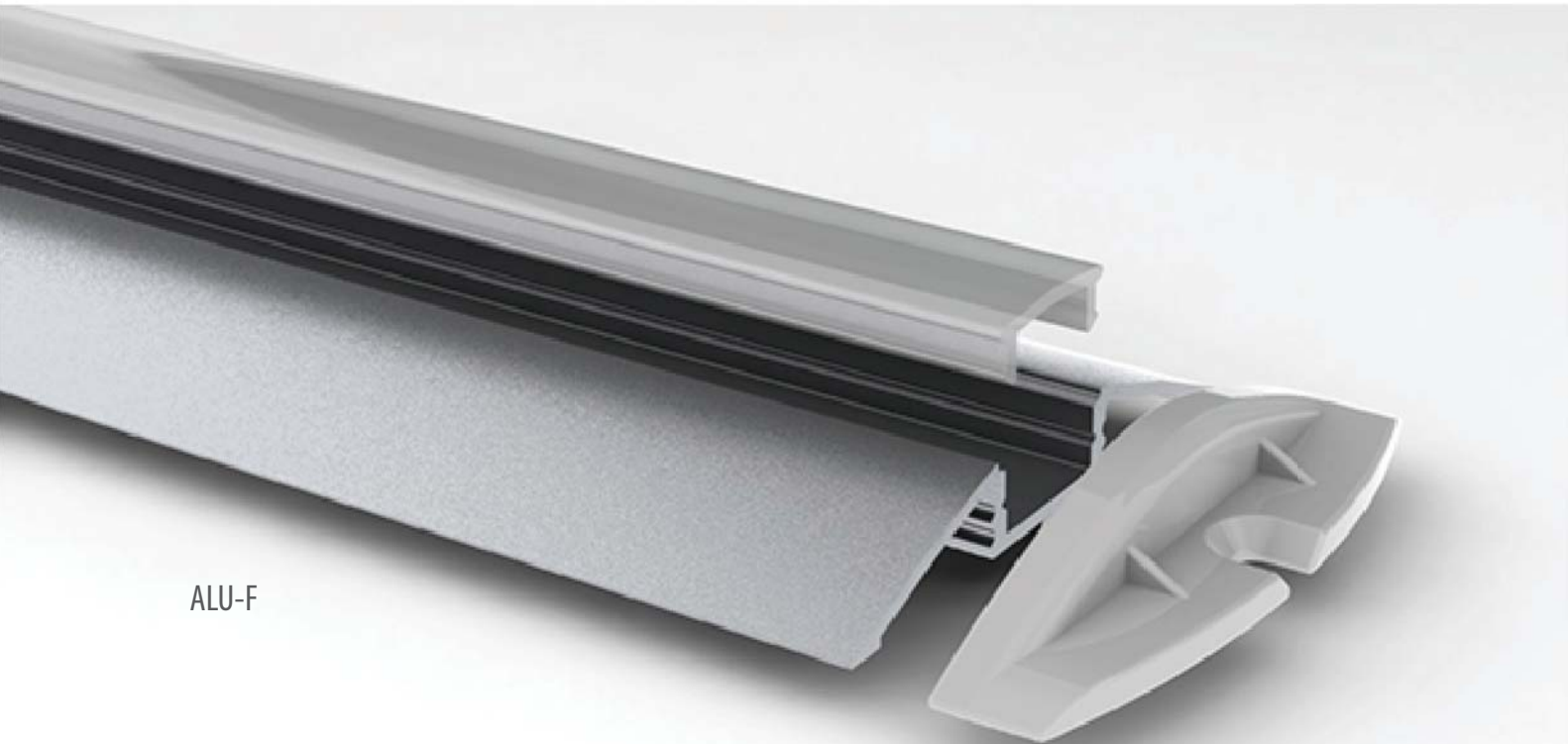
PROFILE ALU-F ACCESSORIES

Anodized

RAL9010

APPLICATIONS:

- Under kitchen cabinets LED lighting
- Stores shelves LED lighting
- Floor LED lighting
- Storage shelves LED lighting
- Exhibition booth LED lighting
- Interior LED lighting



ALU-F

ALU-F-S
End cup with holding ear



Anodized

RAL9010

Quality alu LED profiles

www.eltors.lv

Tel: +371 27036310
+371 2 95 77 303

E-mail: ledprofiles.baltics@gmail.com
eltors@inbox.lv



ALU-F

PROFILE ALU-F ACCESSORIES

ALU-F-1
End cup without holding ear



ALU-F-0



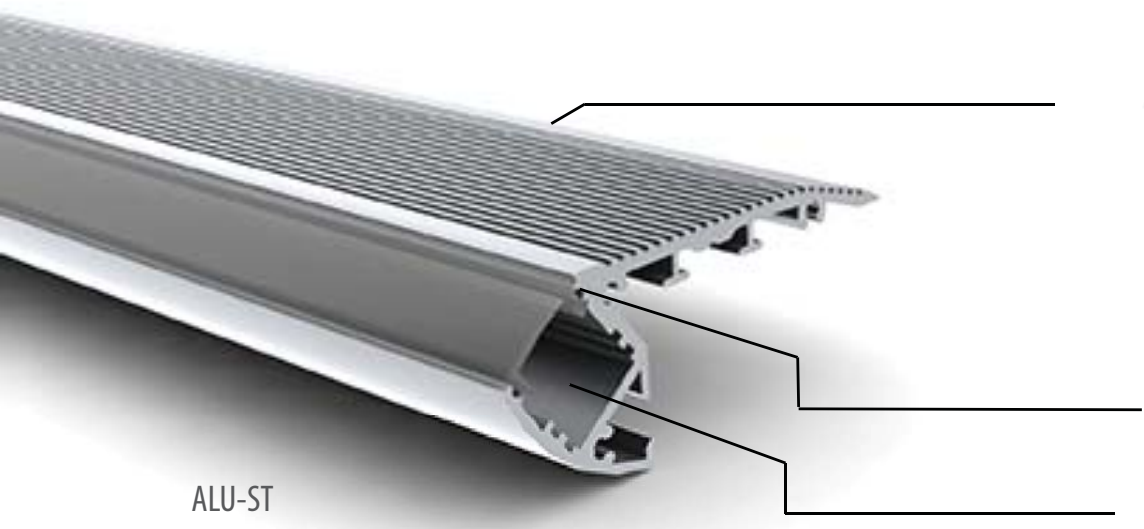
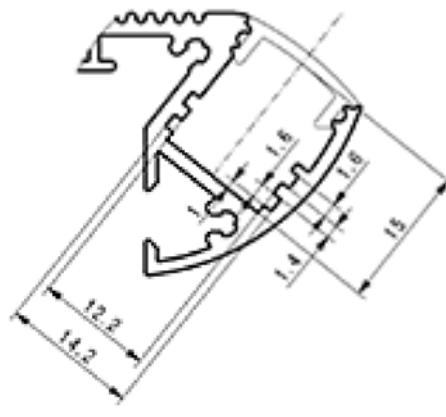
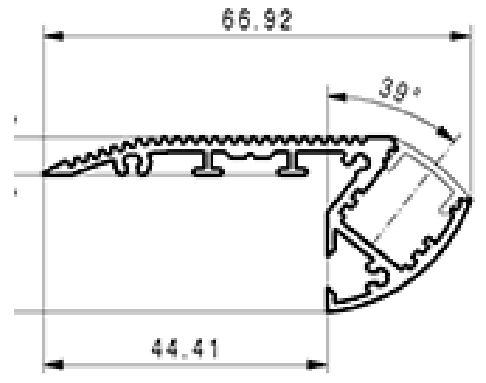
Quality alu LED profiles

www.eltors.lv

Tel: +371 27036310
+371 2 95 77 303
E-mail: ledprofiles.baltics@gmail.com
eltors@inbox.lv

PROFILE ALU-ST

Anodized silver
Patented Design



ALU-ST-R
end cup (right)



Quality alu LED profiles

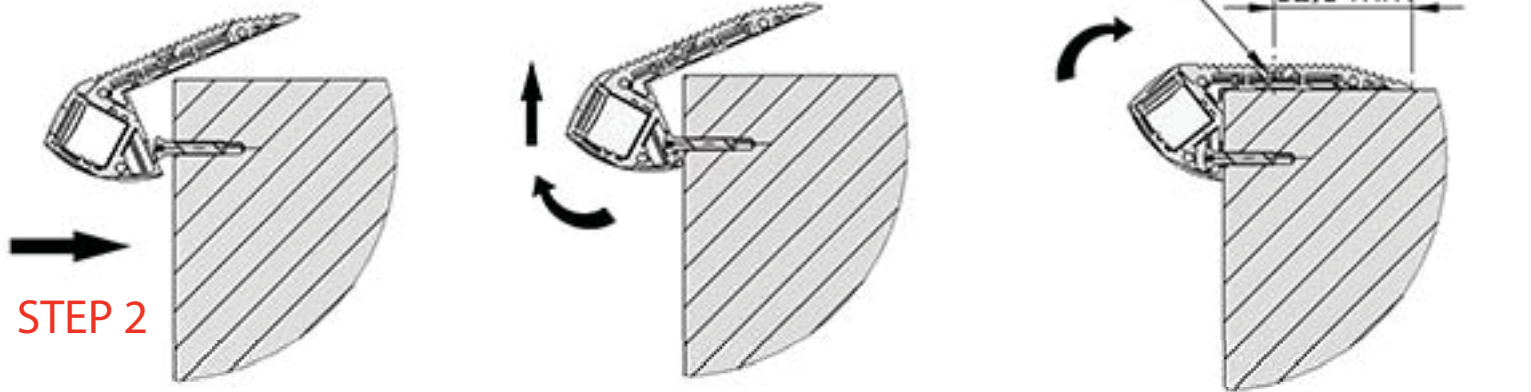
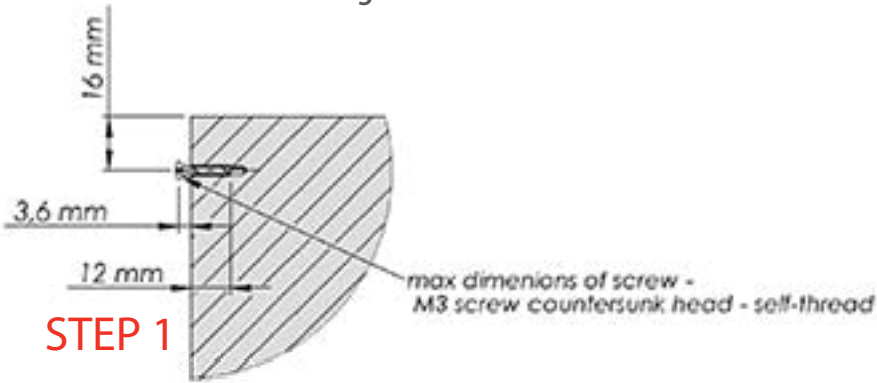
www.eltors.lv

Tel: +371 27036310
+371 29577303
E-mail: ledprofiles.baltics@gmail.com
eltors@inbox.lv

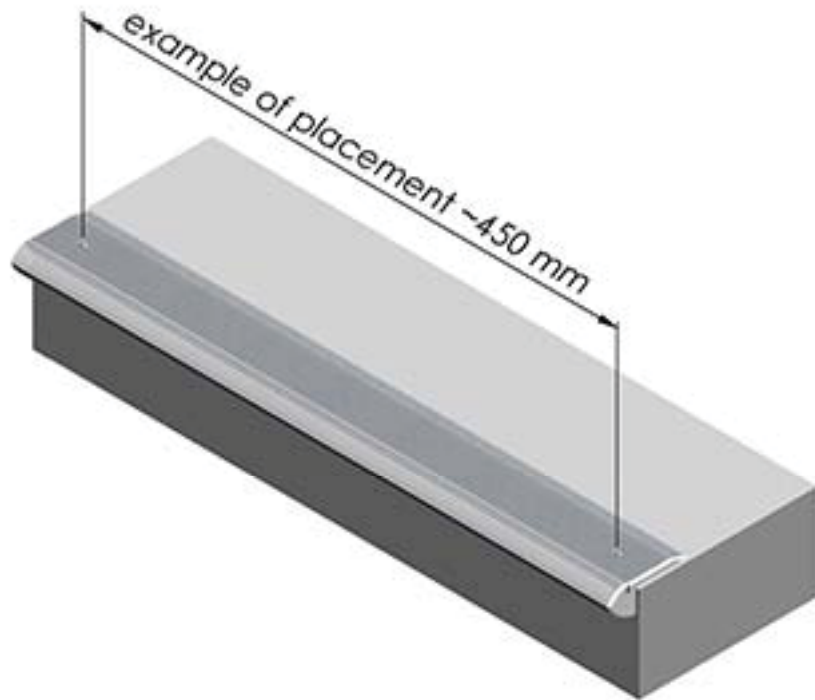
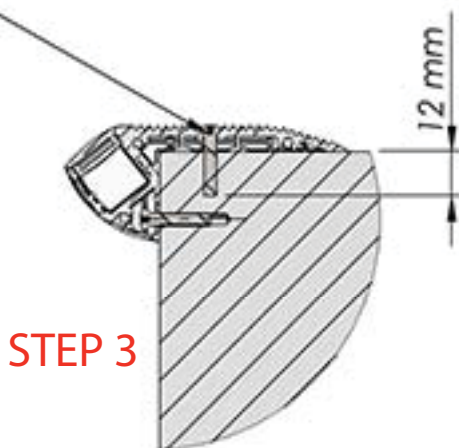
PROFILE ALU-ST

stair instalation guide

NEW Patented



Countersunk head screw M3x16
- self thread



Quality alu LED profiles

www.eltors.lv

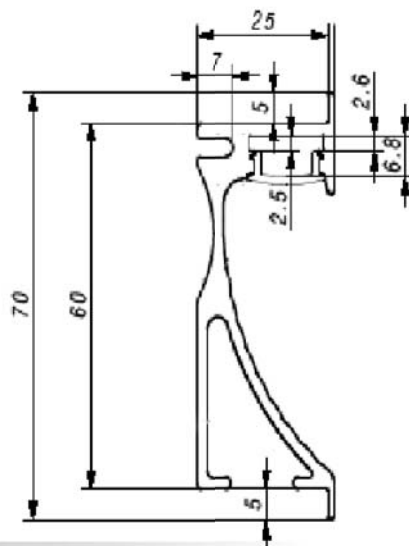
Tel: +371 27036310
+371 2 95 77 303
E-mail: ledprofiles.baltics@gmail.com
eltors@inbox.lv

PROFILE ALU-W

wall installed led profile 2m units only

Anodized silver & dark brown

Anodized



ALU-W

Quality alu LED profiles

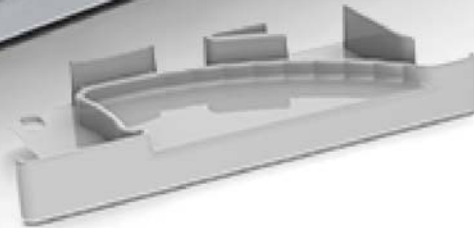
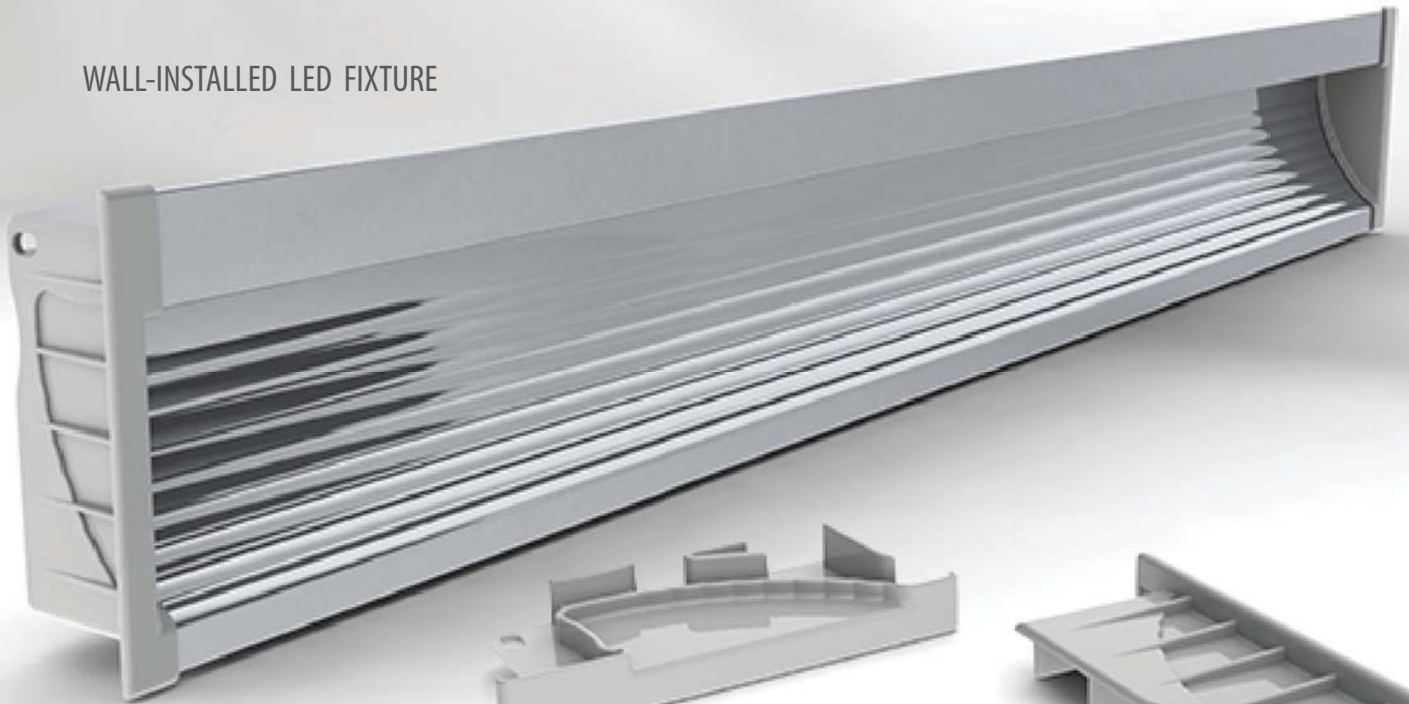
www.eltors.lv

Tel: +371 27036310
+371 2 95 77 303
E-mail: ledprofiles.baltics@gmail.com
eltors@inbox.lv

PROFILE ALU-W

Anodized silver & dark brown
Anodized

WALL-INSTALLED LED FIXTURE



ALU-W-L



ALU-W-R



ALU-W-R

ALU-W LED PROFILE IS DEDICATED
FOR THE FLOOR LED LIGHTING
AND CEILING LED LIGHTING

Quality alu LED profiles

www.eltors.lv

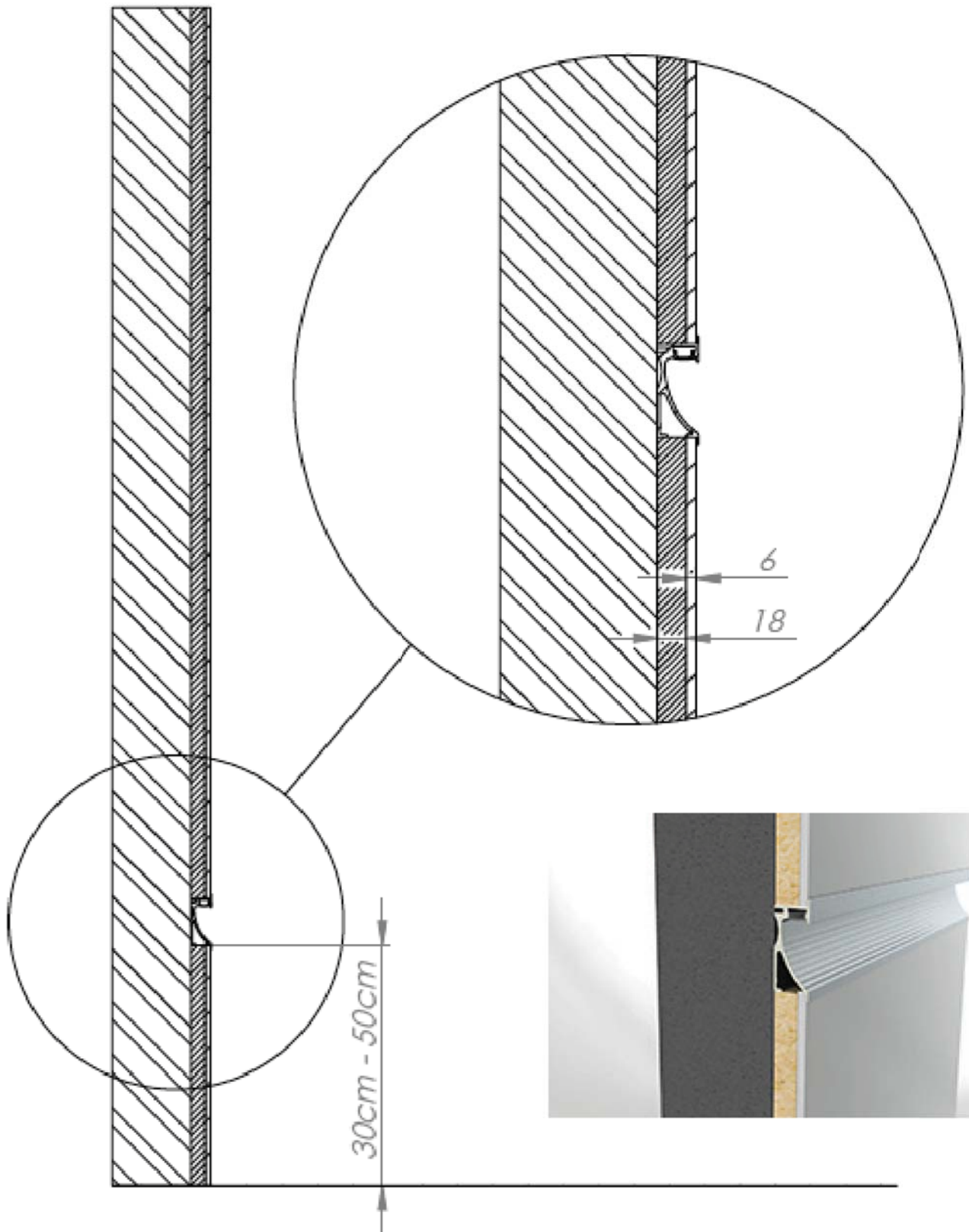
Tel: +371 27036310
+371 295 77 303
E-mail: ledprofiles.baltics@gmail.com
eltors@inbox.lv

PROFILE ALU-W

2m units only

Anodized silver & dark brown
Anodized

INSTALATION
OPTION No. 1



Quality alu LED profiles

www.eltors.lv

Tel: +371 27036310
+371 295 77 303

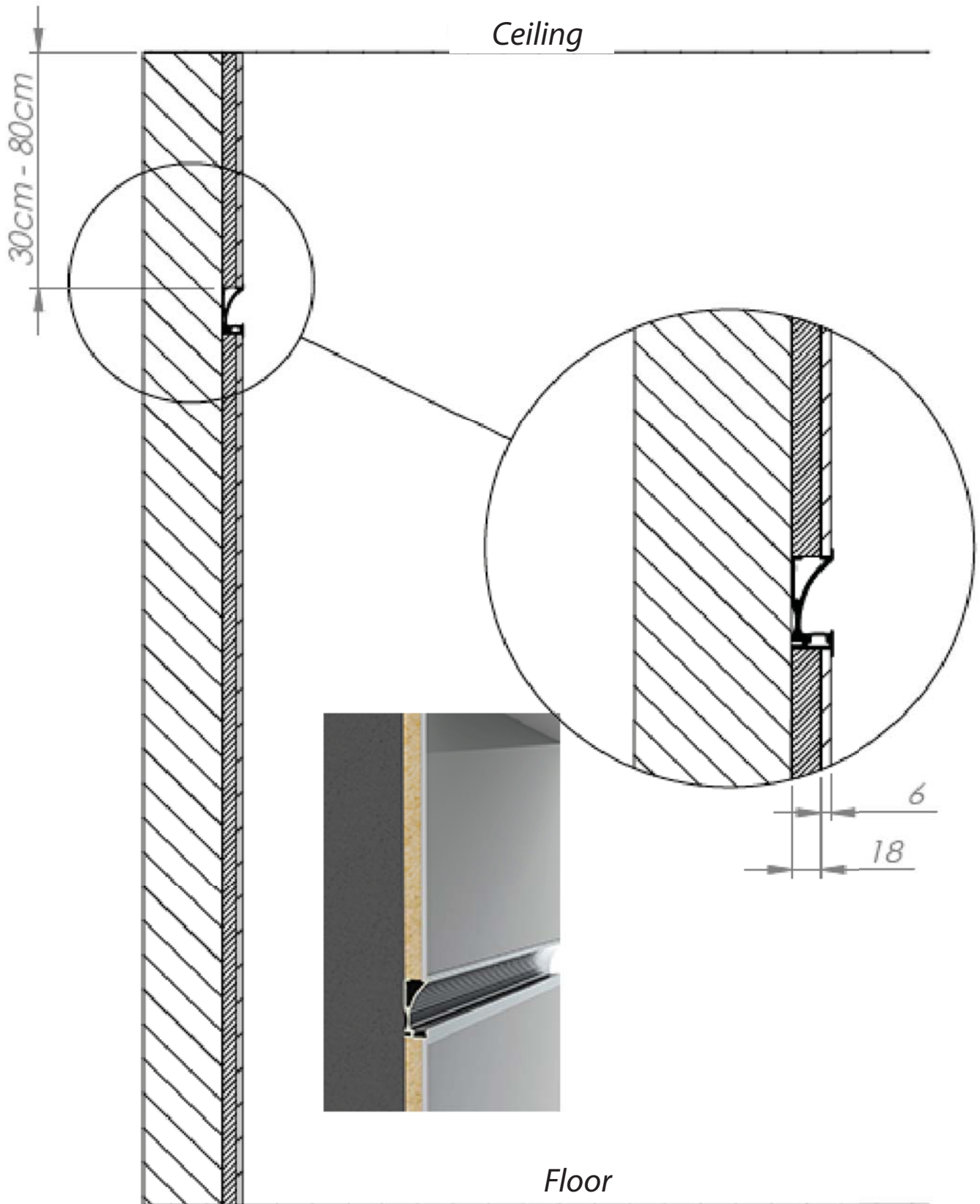
E-mail: ledprofiles.baltics@gmail.com
eltors@inbox.lv

PROFILE ALU-W

2m units only

Anodized silver & dark brown
Anodized

INSTALATION
OPTION No. 2



Quality alu LED profiles

www.eltors.lv

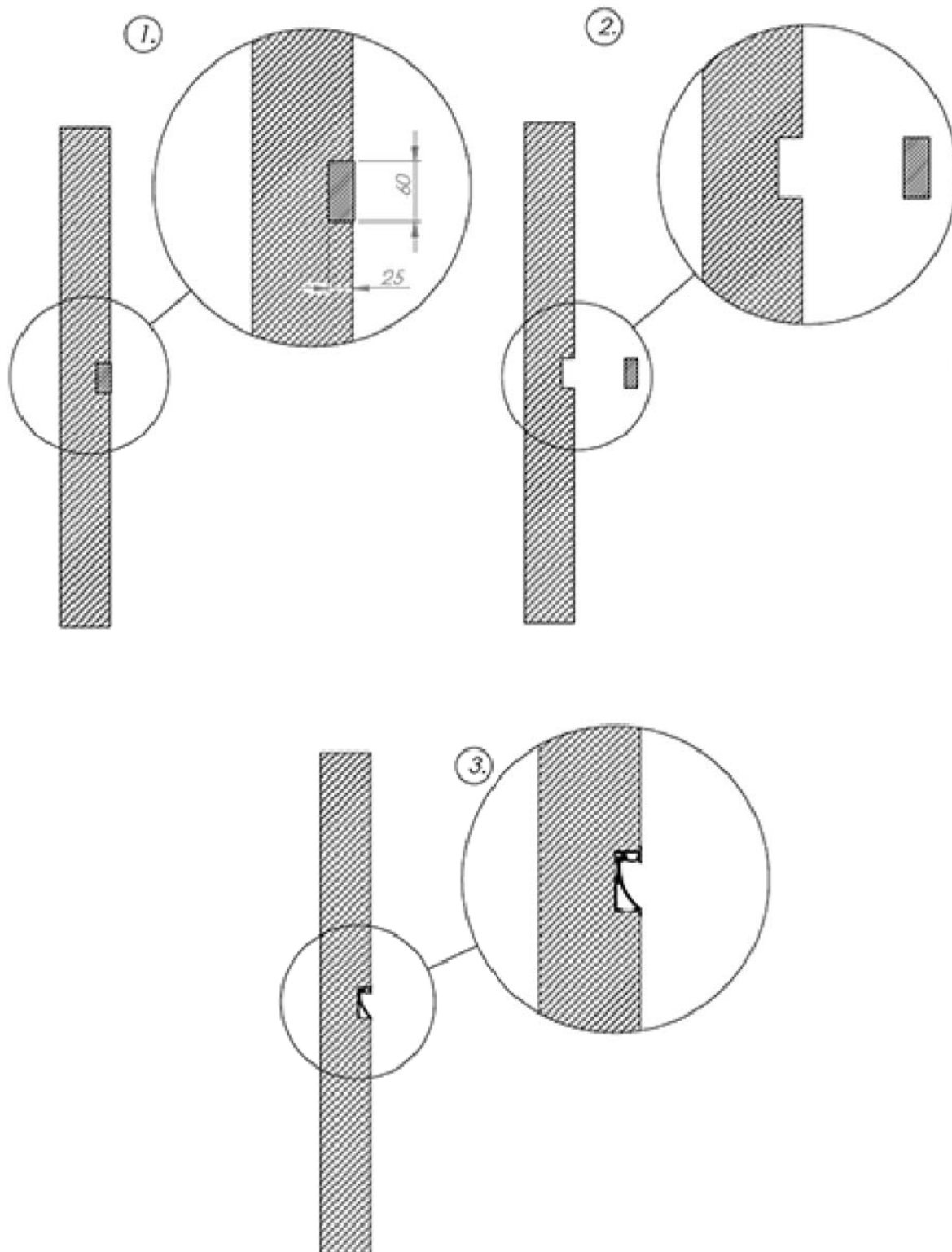
Tel: +371 27036310
+371 2 95 77 303
E-mail: ledprofiles.baltics@gmail.com
eltors@inbox.lv

PROFILE ALU-W

2m units only

Anodized silver & dark brown
Anodized

INSTALATION
OPTION No. 3



Quality alu LED profiles

www.eltors.lv

Tel: +371 27036310

+371 2 95 77 303

E-mail: ledprofiles.baltics@gmail.com

eltors@inbox.lv

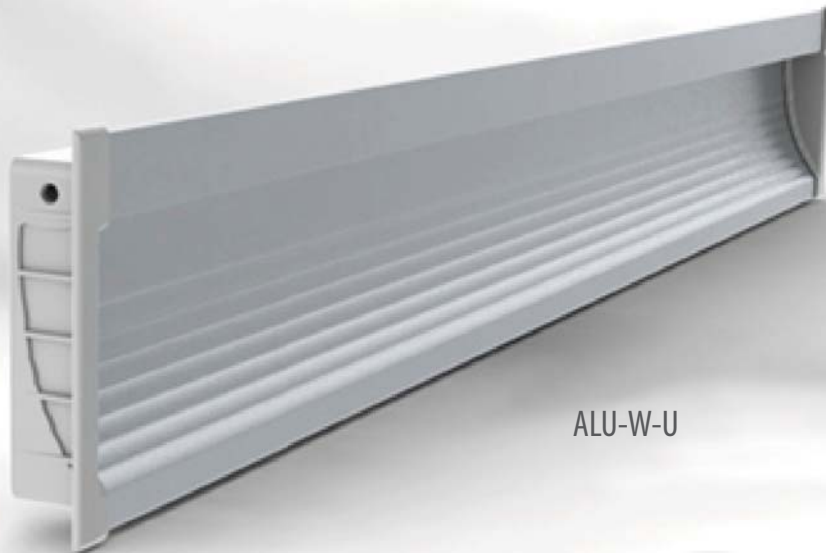
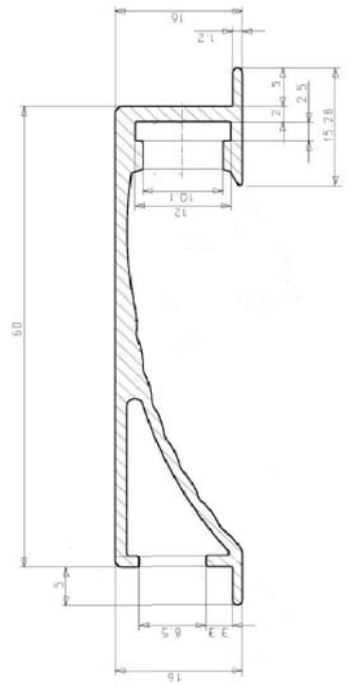
Patented Design

Anodized silver

PROFILE ALU-W-U

for wooden walls structure installation 2m units only

Product is dedicated for build-in into the wood structure walls and direct the LED light on the floor. The thickness of the profile is the same as the thickness of the standard wood plywood sheets used for wall construction at US or Canada.



ALU-W-U-L
end cup left

ALU-W-U

ALU-W-U-R
end cup right

... for wood structure walls NEW

Quality alu LED profiles

www.eltors.lv

Tel: +371 27036310

+371 295 77 303

E-mail: ledprofiles.baltics@gmail.com

eltors@inbox.lv

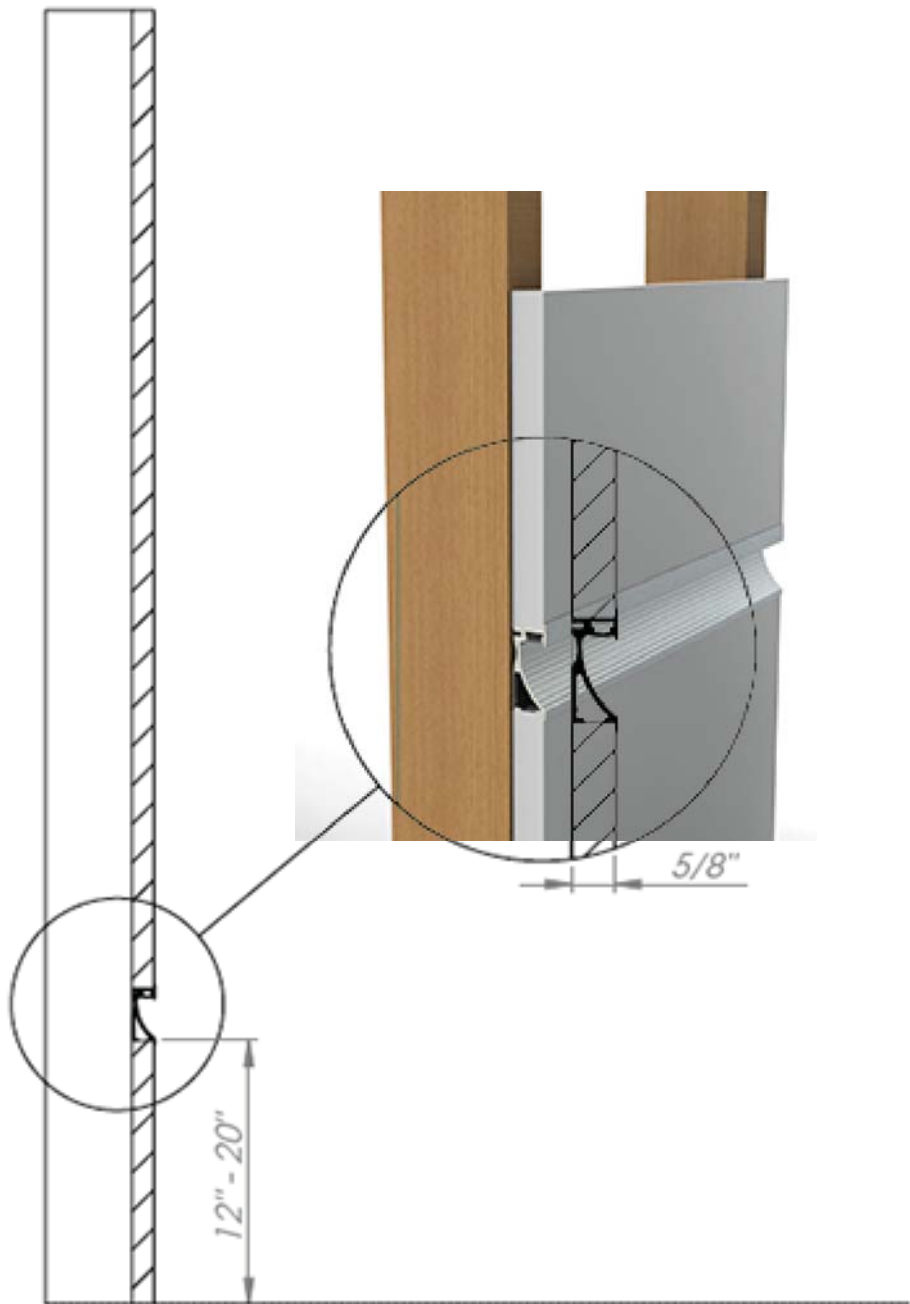
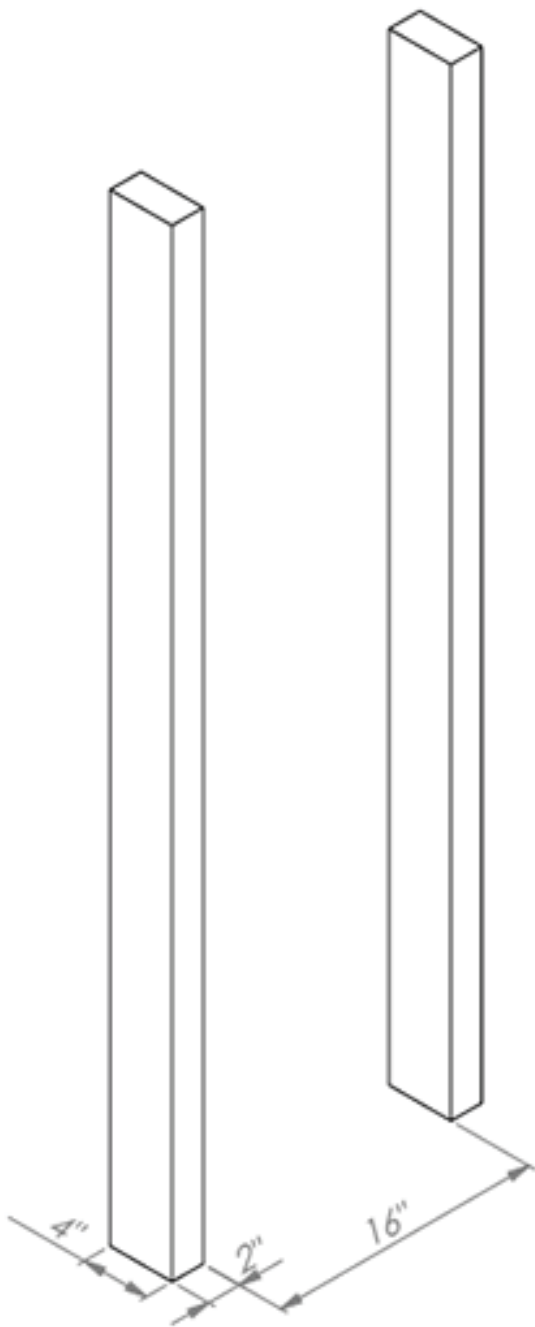
PROFILE ALU-W-U

2m units only

Anodized silver

Patented Design

ALU-WALL - 2



NEW

Quality alu LED profiles

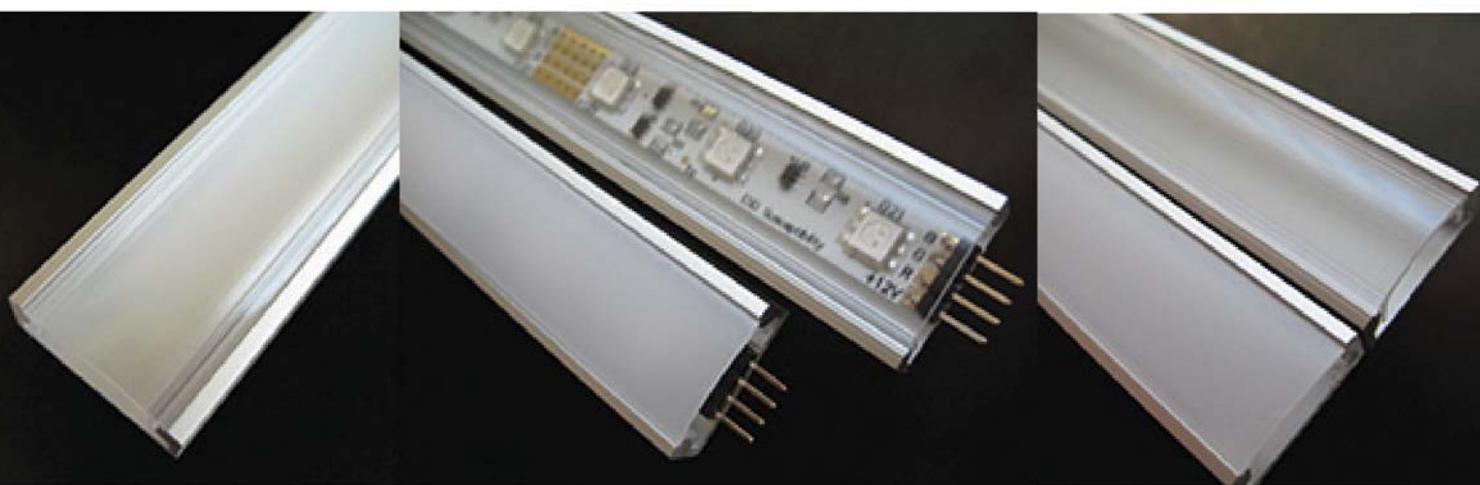
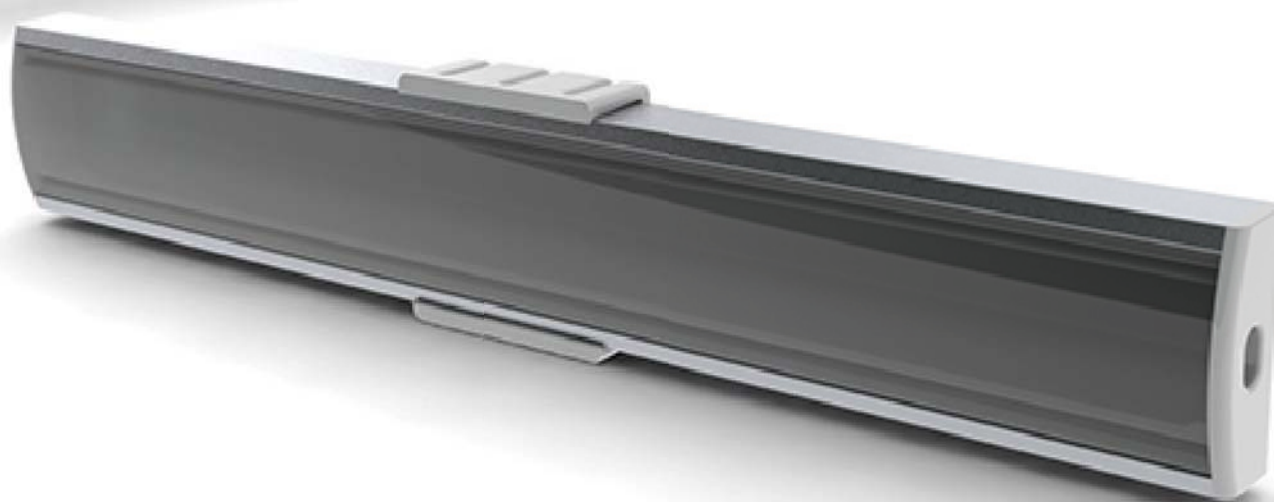
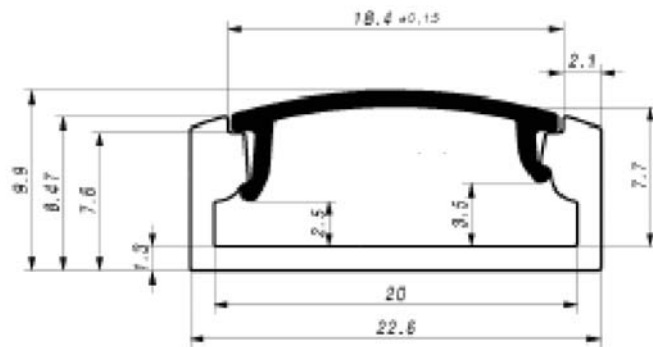
www.eltors.lv

Tel: +371 27036310
+371 2 95 77 303

E-mail: ledprofiles.baltics@gmail.com
eltors@inbox.lv

PROFILE SL-WD

Anodized



Quality alu LED profiles

www.eltors.lv

Tel: +371 27036310
+371 2 95 77 303
E-mail: ledprofiles.baltics@gmail.com
eltors@inbox.lv

PROFILE SL-WD

Anodized



SL-WD-M

SL-WD-0



SL-WD-1

Quality alu LED profiles

www.eltors.lv

Tel: +371 27036310

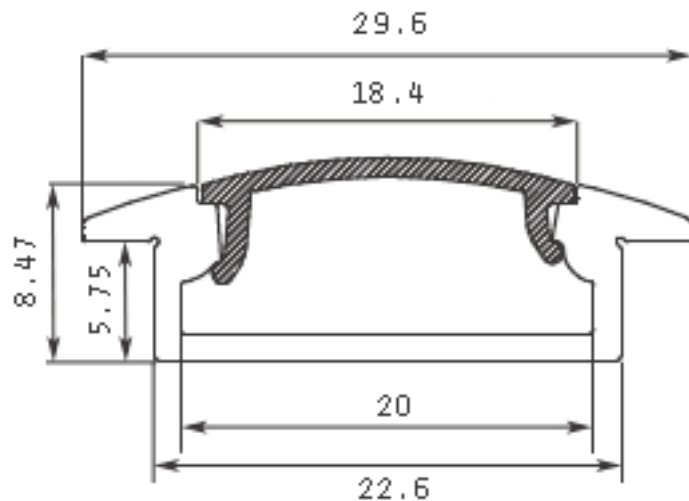
+371 29577303

E-mail: ledprofiles.baltics@gmail.com

eltors@inbox.lv

PROFILE SL-WD-R-8

Anodized / Patented Design



SL-WD-R-8



SL-WD-R-8-0
End cup with holding ear



SL-WD-R-8-1
End cup without holding ear

Quality alu LED profiles

www.eltors.lv

Tel: +371 27036310
+371 2 95 77 303
E-mail: ledprofiles.baltics@gmail.com
eltors@inbox.lv

PROFILE SL-WD-18

Anodized / Patented Design

NEW

SL-WD-18

18mm

PRODUCT FEATURES :

- Suitable for the double row LED stripes up to 18mm
- 18mm wide LED channel
- LEDs dots free led profile (frosted)
- Heavy heat sink for the LEDs
- Suitable for IP67 LED ribbons and any other led stripes



SL-WD-18-M



Quality alu LED profiles

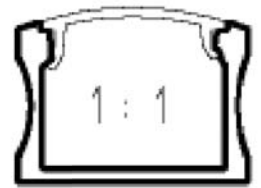
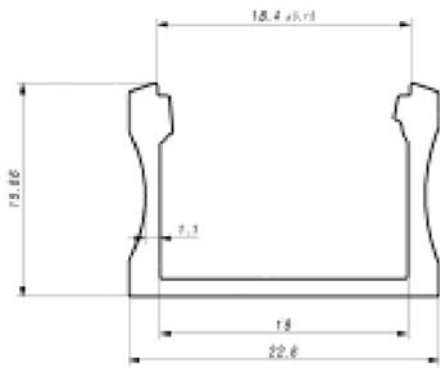
www.eltors.lv

Tel: +371 27036310
+371 2 95 77 303

E-mail: ledprofiles.baltics@gmail.com
eltors@inbox.lv

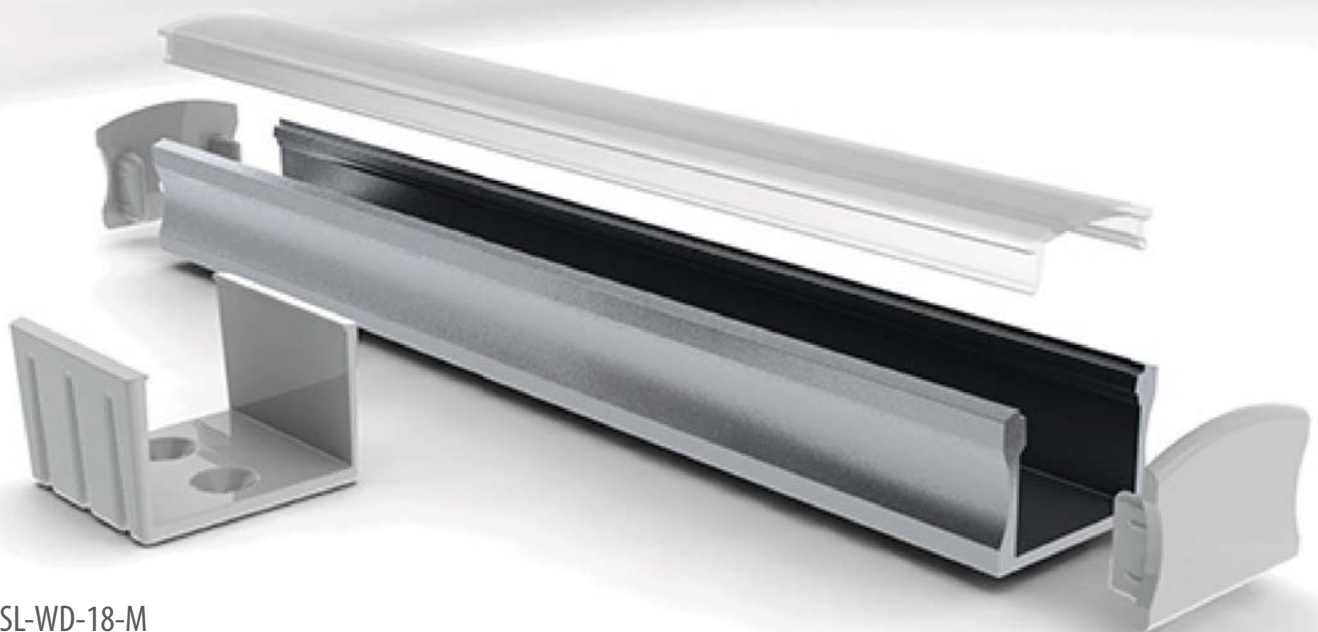
PROFILE SL-WD-18

Anodized / Patented Design



NEW, STOCK

18mm



SL-WD-18-M

SL-WD18-1

Quality alu LED profiles

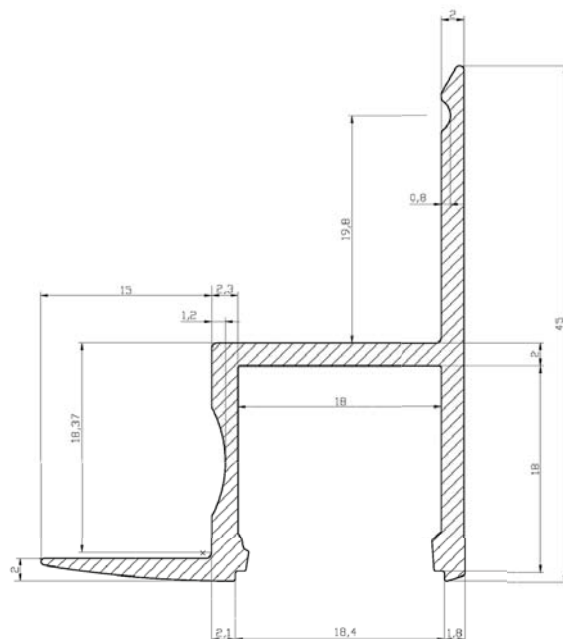
www.eltors.lv

Tel: +371 27036310
+371 295 77 303
E-mail: ledprofiles.baltics@gmail.com
eltors@inbox.lv

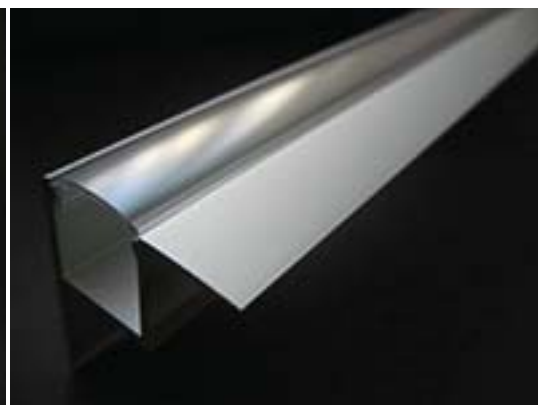
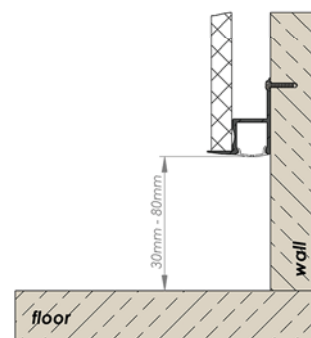
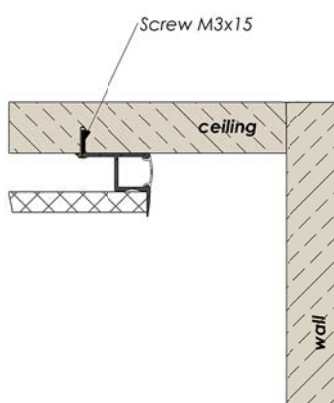
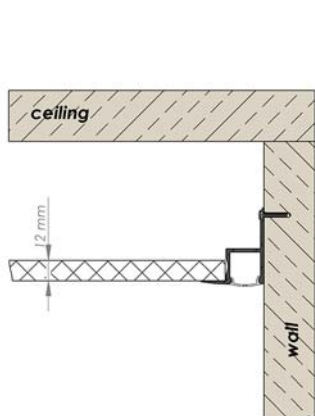
PROFILE ALU-CL

Anodized / Patented Design

NEW



FIXING ALU-CEILING



Quality alu LED profiles

www.eltors.lv

Alu-Ceiling

Anodized / Patented Design



NEW



Product features :

- LEDs dots free led profile
- Suitable for normal, IP67 or the double row LED stripes
- 18mm wide LED channel
- Heavy heat sink for the LEDs
- For indor/outdoor (with IP67 leds) use
- PC, UVA rezitant diffuser (clear/frosted)

Applications :

- Wall wash led lighting
- Floor LED lighting

Quality alu LED profiles

www.eltors.lv

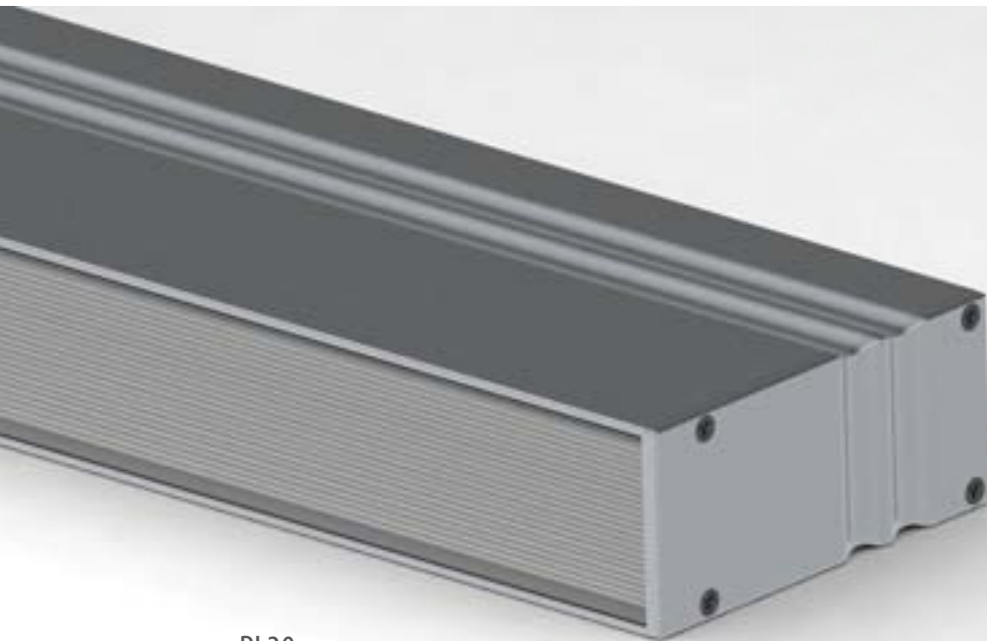
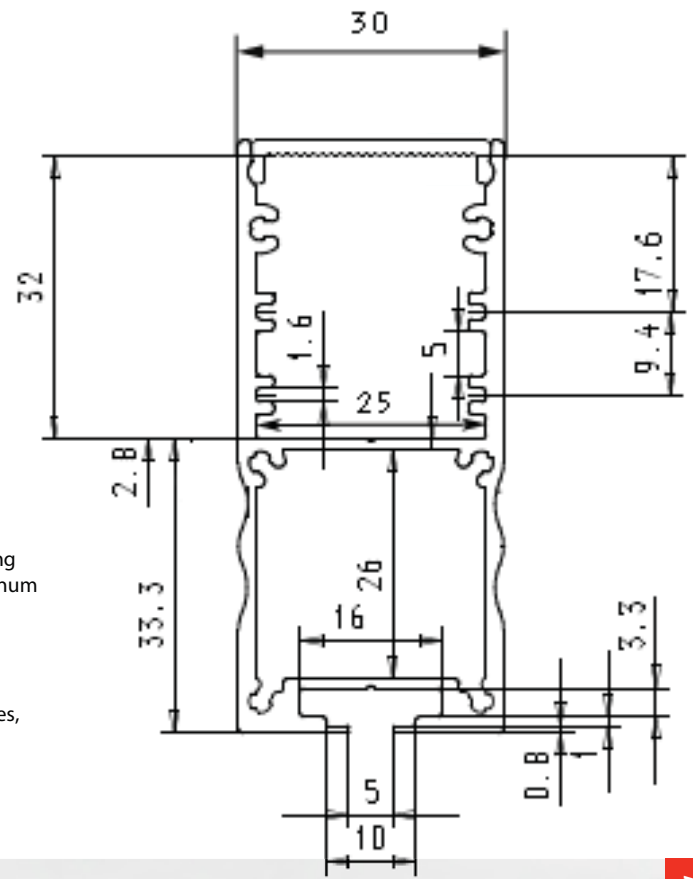
Tel: +371 27036310
+371 2 95 77 303
E-mail: ledprofiles.baltics@gmail.com
eltors@inbox.lv

PROFILE PL30

Is posible complete with driver 13 W, 12 or 24 Dc

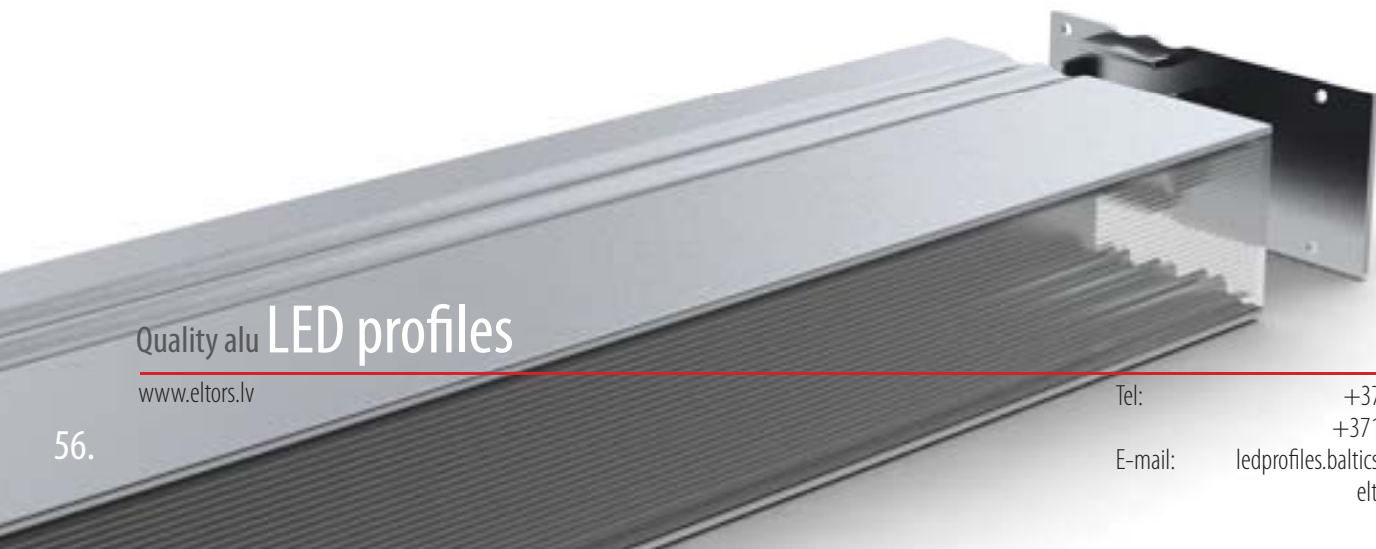
Power Line Slim 30mm

This profile is dedicated to work as the LED lighting fixture for main lighting at the offices, restaurants, hotels, bars etc. It is made from anodized aluminum and is suitable for up to 25mm wide high power LED bars. Profile comes with polycarbonate UV resistant frosted or transparent diffuser placed and removed from the front on click. The light diffusion with the frosted diffuser is complete. PLS30 is giving soft light on the whole surface. Profile containing special chamber for led power supplier (option) or cables, is dedicated for the high power LED lighting up to 30W/m. It is available in length of 1m or 2m.



PL30

Aluminum end caps PL30-EC

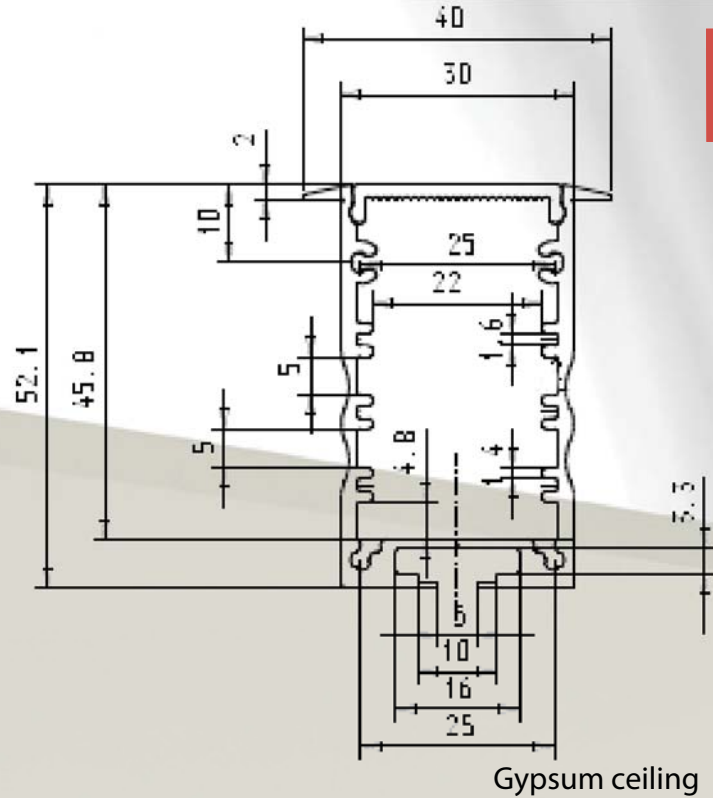


Quality alu LED profiles

www.eltors.lv

Tel: +371 27036310
 +371 2 95 77 303
 E-mail: ledprofiles.baltics@gmail.com
 eltors@inbox.lv

PROFILE PLR30



RECESSED POWER LINE SLIM 30mm

Application:

- Show rooms ceiling LED lighting
- Restaurants ceiling LED lighting
- Shopping malls LED lighting
- Hotels hallways ceiling LED lighting
- Apartments ceiling LED lighting

Features :

- High quality polycarbonate diffuser, UV resistant
- LED dots free design
- Right high, soft and smooth light diffusion
- Diffuser is placed/removed from the top on click
- High quality anodized aluminum base
- Heavy duty "heat sink" for high power LEDs
- Matching aluminum finish end caps
- Available in length of 2m/1m with clear or frosted diffuser



Aluminum end caps
PLR30-EC

coming up NEW

Quality alu LED profiles

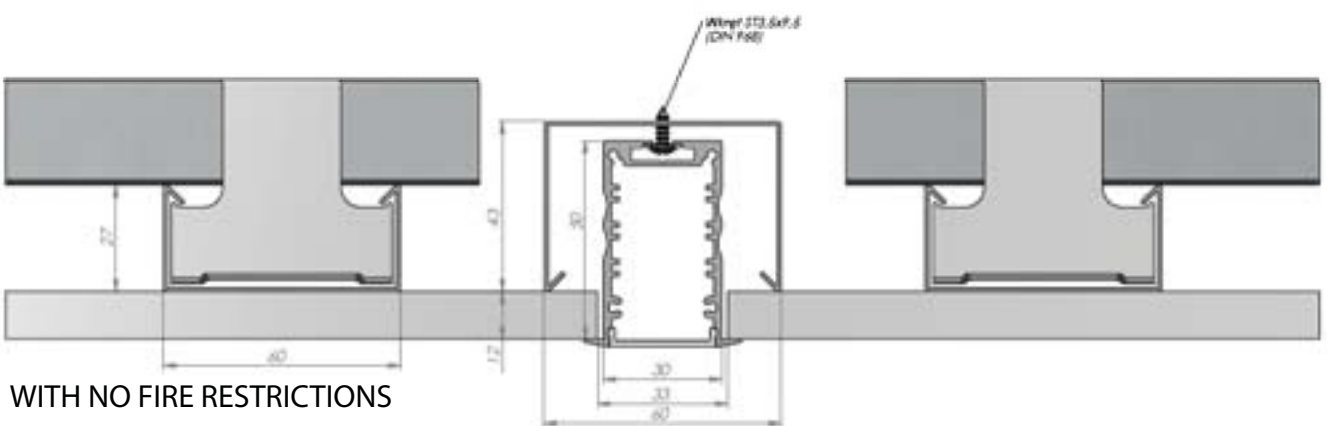
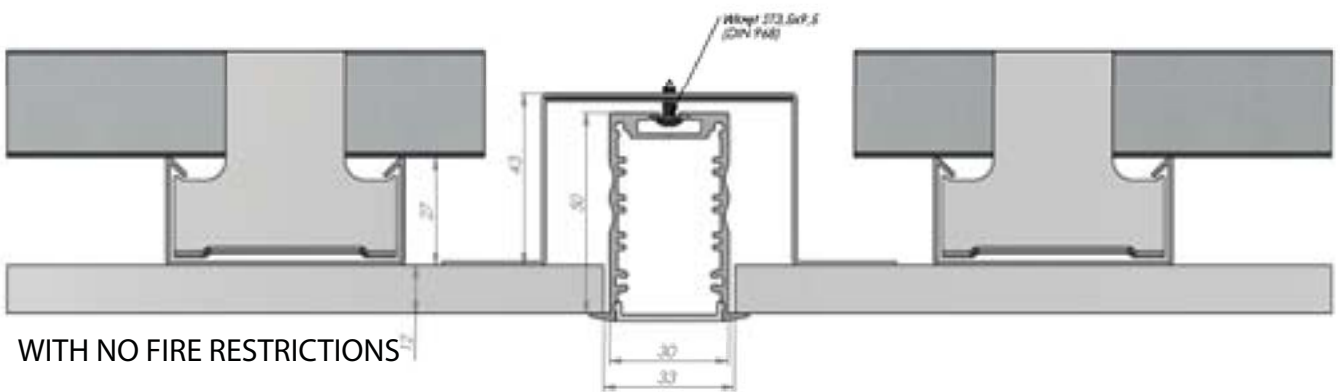
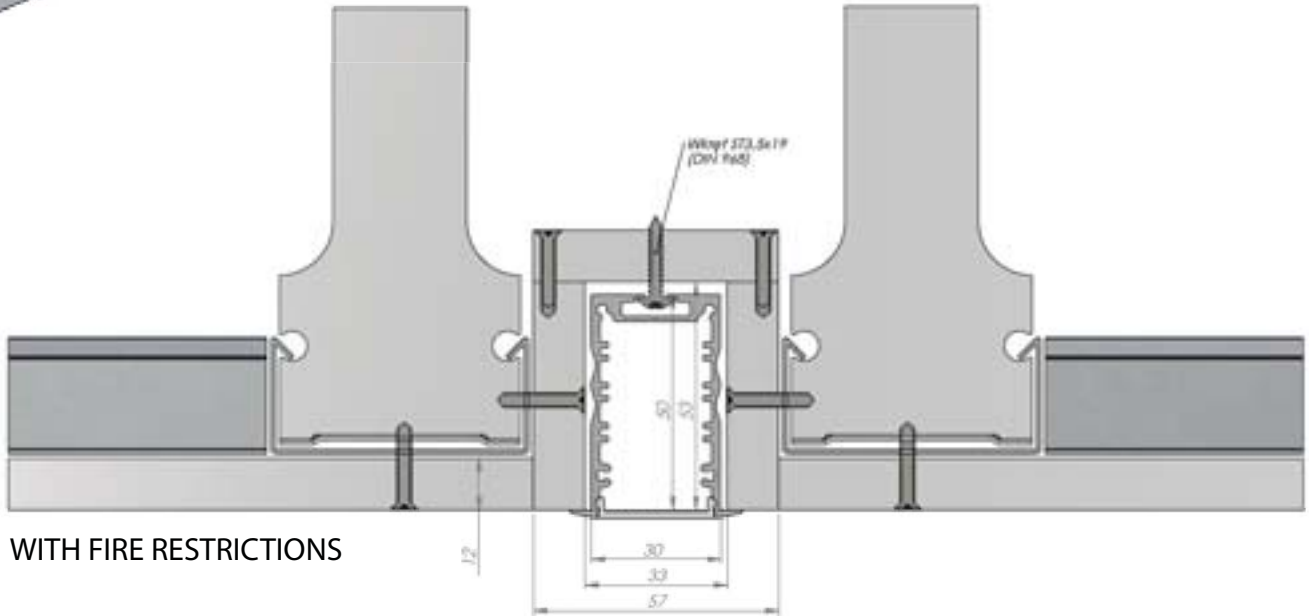
www.eltors.lv

Tel: +371 27036310
+371 2 95 77 303
E-mail: ledprofiles.baltics@gmail.com
eltors@inbox.lv



RECESSED POWER LINE SLIM 30mm

INSTALATION OPTIONS :



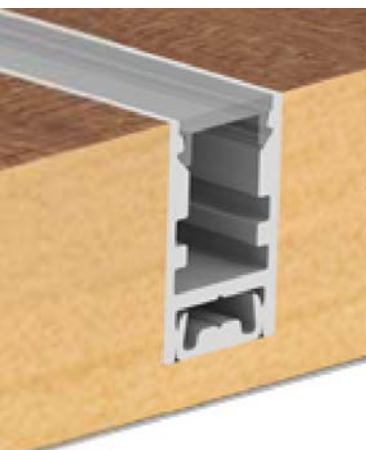
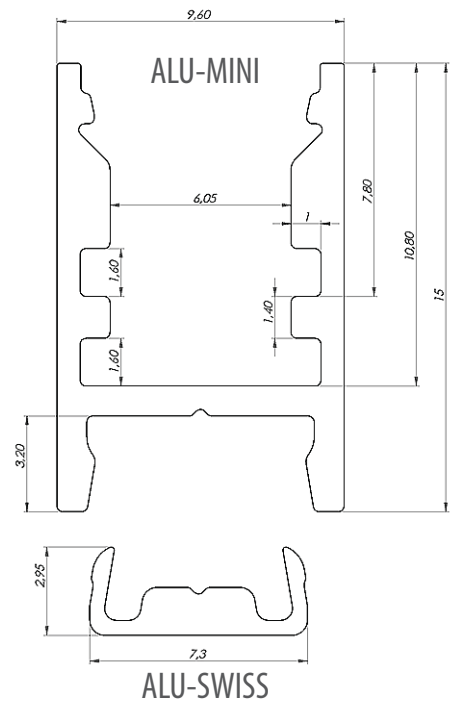
Quality alu LED profiles

www.eltors.lv

Tel: +371 27036310
+371 295 77 303
E-mail: ledprofiles.baltics@gmail.com
eltors@inbox.lv

PROFILE ALU-MINI

for 6 mm LED stripes



Instalation base
(ALU-SWISS)

Alu-Swiss 15mm,
for 6mm led stripes

This tiny profile (9x15mm) is dedicated to be build-in into the wood or other surface. It can be also installed as the surface LED lap. The profile is suitable for high density 6mm led stripes. Alu-Swiss comes with polycarbonate UV resistant frosted and transparent diffuser placed and removed from the top. If you will use high density led stripes the frosted diffuser will give you soft light on whole surface (led dots free effect on the diffuser). Profile comes with installation base which you screw it to the surface then click-in the aluminum body of the profile on it. It is available in 1m or 2m units.



ALU-MINI-0

Aluminum end caps
ALU-MINI-1



Quality alu LED profiles

www.eltors.lv

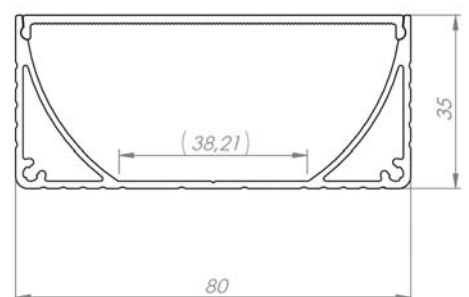
Tel: +371 27036310
+371 2 95 77 303
E-mail: ledprofiles.baltics@gmail.com
eltors@inbox.lv

PROFILE PLW80



THIS IS NEW SURFACE INSTALLATION 80mm WIDTH HIGH QUALITY ANODIZED ALUMINUM LED PROFILE WITH "LEDS DOTS FREE" FROSTED DIFFUSER.

The anodizing surface quality is the same as in other our profiles and it is free of any extrusion marks and production screeches. Anodizing surface is thick enough to resist the transportation and sometimes difficult operating condition. Extended internal LED chamber dimensions for LED stripes gives you free hands of type and size of LED stripe/s what can be accommodate inside the profile. You can use almost any type of led stripe and you decide how much light will come out by using the right LED stripe. The heavy duty heat sink (PLW80 profile) is prepared and capable to provide excellent cooling system for low/high power LED bars [up to 35W/m]. Specially shaped internal chamber reduce the light lost (bouncing of the light inside the profile) and drive the light slight up to the diffuser surface where the light diffusion is taking place. The profile is coming with choice of two high quality UV stabilized, snap in diffusers in frosted and transparent. PLW80 profile is available with color matching aluminum end caps for professional finish.

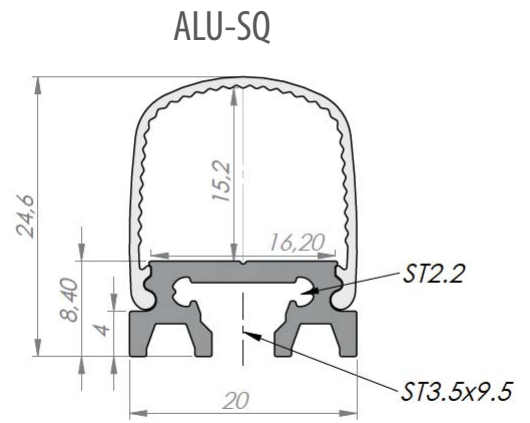


Quality alu LED profiles

www.eltors.lv

Tel: +371 27036310
+371 2 95 77 303
E-mail: ledprofiles.baltics@gmail.com
eltors@inbox.lv

PROFILE ALU-SQ



FUTURES:

- High standard of the aluminium anodizing surface
- High quality, snap in, UV resistant diffuser
- LEDs DOTs FREE design (frosted diffuser)
- Suitable for led stripes up to 16mm of wideness.
- Direct installation with the surface by ST3,5x9,5mm screws
- Aluminum end caps



Quality alu LED profiles

www.eltors.lv

Tel: +371 27036310

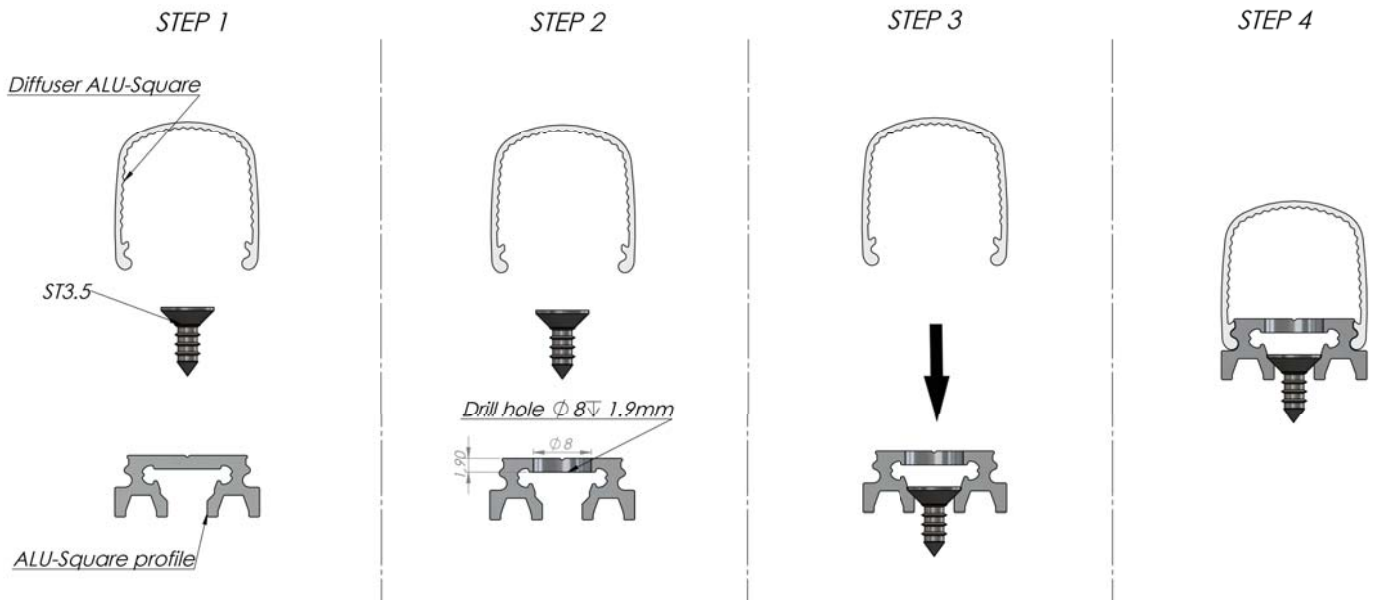
+371 2 95 77 303

E-mail: ledprofiles.baltics@gmail.com

eltors@inbox.lv

PROFILE ALU-SQ

ALU-Square profile mount



Three side light emitting, snap in, round shaped diffuser with delicate ruffles under need the surface.

The profile is completely "LEDs DOTS FREE" and comes with frosted, UV resistant diffuser only.

The profile deliver soft diffused light, can accommodate the standard led stripes mid power up to 16mm of wideness.

The right selected aluminium alloy body is performing as the heat sink to the LEDs delivering proper cooling.

The profile is dedicated for surface installation by the standard ST3,5mm self thread screw.

The Alu-Sqere is finish by the dedicated aluminum end caps installed by the two screws on the side.

All together nice diffuser, quality aluminum base and aluminum end caps bring the quality and the professional look.



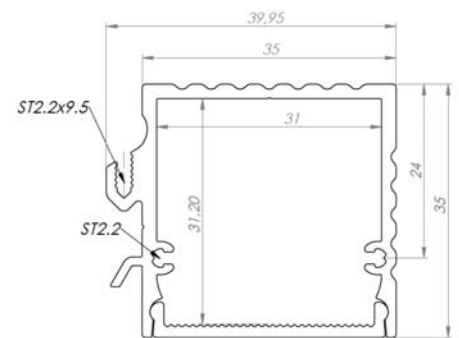
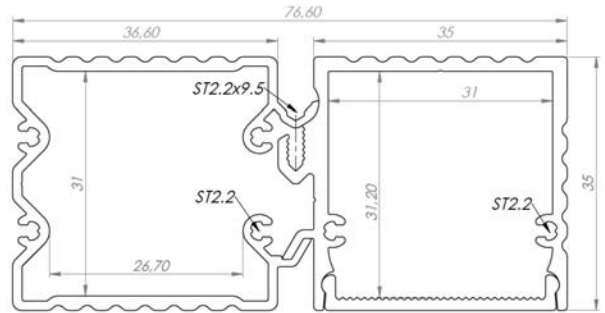
Quality alu LED profiles

www.eltors.lv

Tel: +371 27036310
+371 2 95 77 303
E-mail: ledprofiles.baltics@gmail.com
eltors@inbox.lv

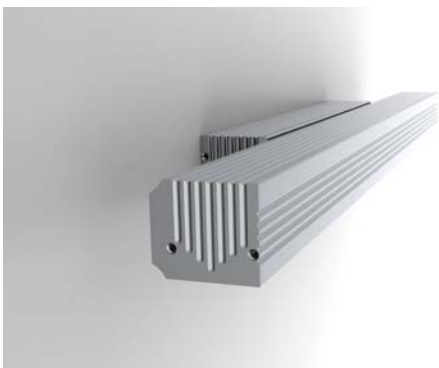
PROFILE PL-35-0S

PL35 Single Wall LED Lamp
with Mounting profile for SUPPLY



FUTURES:

- Single light output Wall LED lamp with hiding base for power supply
- Modern design with all matching components
- High standard of the aluminium anodizing surface
- Snap in LEDs DOTs FREE frosted diffuser
- High power heat dissipation capability up to 30W/m
- Firm connection of the base with the wall and base with the profile
- Aluminum end caps



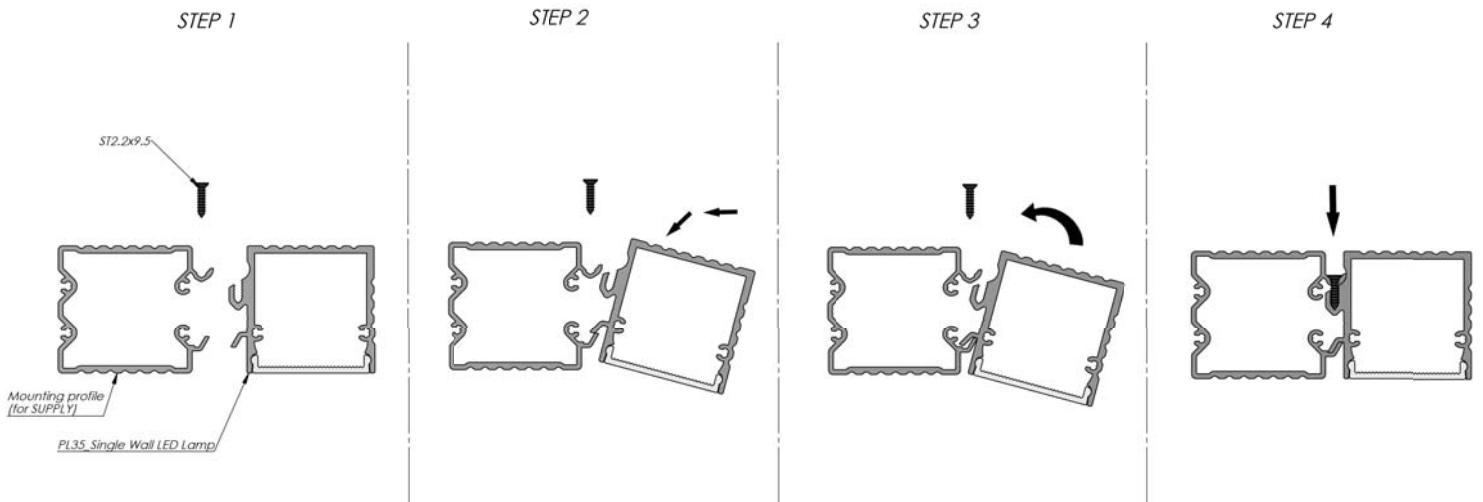
Quality alu LED profiles

www.eltors.lv

Tel: +371 27036310
+371 2 95 77 303
E-mail: ledprofiles.baltics@gmail.com
eltors@inbox.lv

PROFILE PL-35-0S

PL35_Single Wall LED Lamp mount



This is wall installed LED profile with light directed down.

It is modification of our popular Power Line 35 profile.

The design, diffuser remain the same like at the PL35 profile.

The PL35 one side light down was equipped with the hiding base for the power supplier.

Hiding base is matching the profile design, is made from the aluminum and screw it directly with to surface.

Base is connected mechanically with the lighting profile by a few self thread screws ST2,2x9,5mm.

Additionally the base and lighting profile is coming with the aluminum end caps holds by two screws ST2,2mm.

The profile and the base is sale separately as well as the end caps.

The profile is dedicated mostly for the high power LED lighting with the possible load up to 30W/m.



Aluminum end caps



Quality alu LED profiles

www.eltors.lv

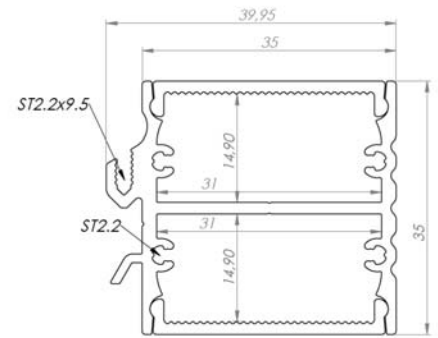
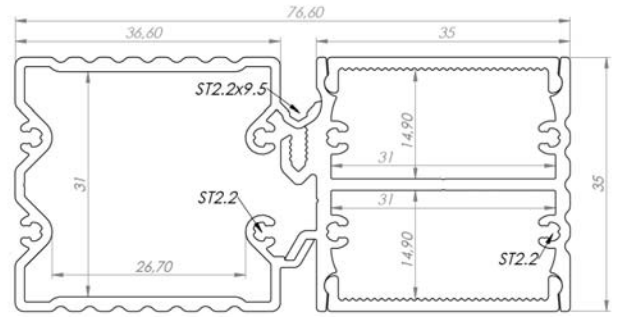
Tel: +371 27036310

+371 2 95 77 303

E-mail: ledprofiles.baltics@gmail.com

eltors@inbox.lv

PROFILE PL-35-TS



FUTURES:

- Two ways light output of the Wall LED lamp with hiding base for power supply
- Modern design with all matching components
- High standard of the aluminum anodizing surface
- Snap in frosted UV resistant diffuser
- High power heat dissipation capability up to 30W/m
- Firm connection of the base with the wall and base with the profile
- Aluminum end caps



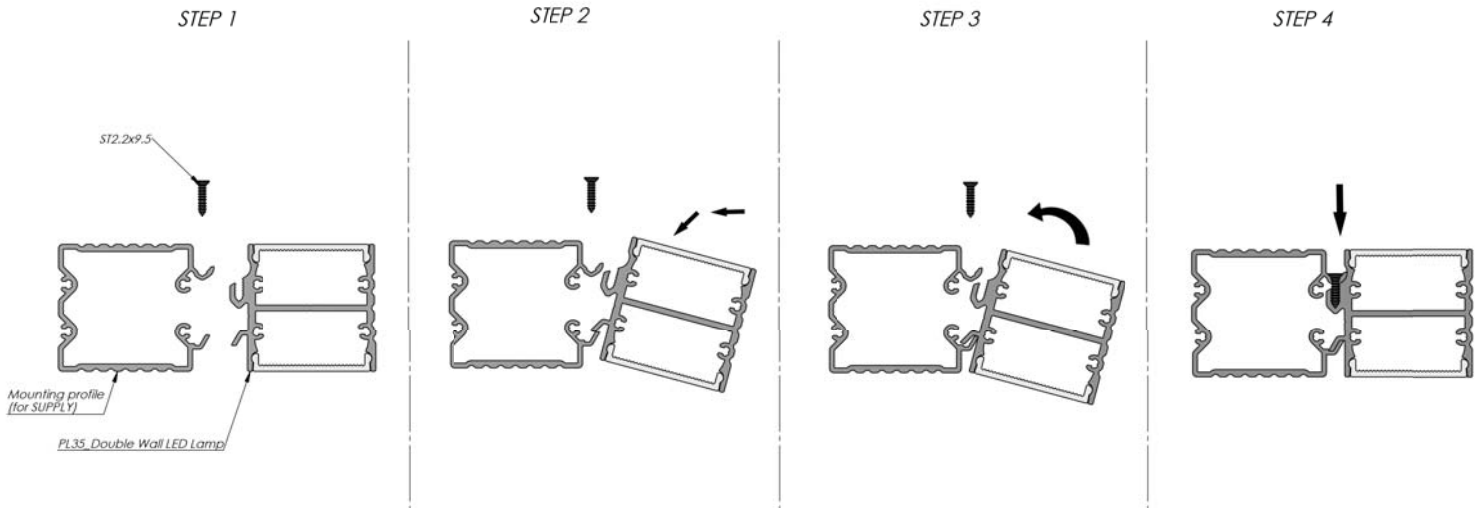
Quality alu LED profiles

www.eltors.lv

Tel: +371 27036310
+371 2 95 77 303
E-mail: ledprofiles.baltics@gmail.com
eltors@inbox.lv

PROFILE PL-35-TS

PL35_Double Wall LED Lamp mount



This is wall installed LED profile with light directed up and down. It is modification of our popular Power Line 35 profile. The design, diffusers remain the same like at the PL35 profile. The PL35 two side light up and down was equipped with the hiding base for the power supplier. Hiding base is matching the profile design, is made from the aluminum and screw it directly to the surface. Base is connected mechanically with the lighting profile by a few self threat screws ST2,2x9,5mm. Additionally the base and lighting profile is coming with the aluminum, end caps holds by two screws ST2,2mm. The profile and the base is sale separately as well as the end caps. The profile is dedicated mostly for the high power LED lighting with the possible load up to 30W/m.



Aluminum end caps



Quality alu LED profiles

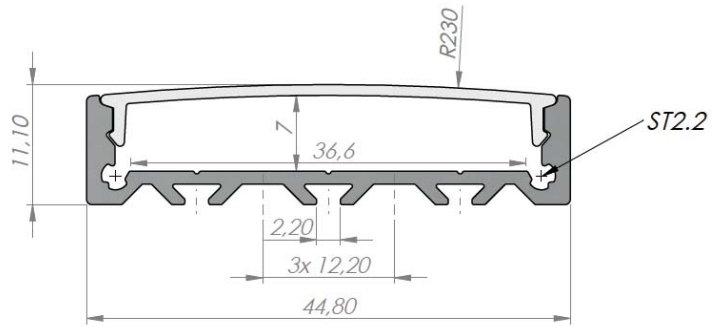
www.eltors.lv

Tel: +371 27036310
+371 2 95 77 303
E-mail: ledprofiles.baltics@gmail.com
eltors@inbox.lv

PROFILE SL-WD-10

FUTURES:

- Triple row led stripe profile up to 36,6mm
- Slim design only 11mm high
- Three types snap in high quality UV resistant diffusers
- High quality anodizing surface
- Direct installation with the surface by the ST2,2mm screws
- Aluminum end caps



Super wide aluminium profile with the 36,6mm space for the extra wide LED stripes or the triple row of standard 12mm LED stripes.

It is low design with the aluminum body directly screwing to the surface by the ST 2,2x9,5mm self thread screws.

Almost flat snap in UV resistant diffuser is providing quality finish to this LED lamp.

The profiles is available with three different types of the light diffusers, frosted, 50% frosted and transparent.

SLW10 LED profile is also equipped with stylish aluminum end caps screwed with the profile.



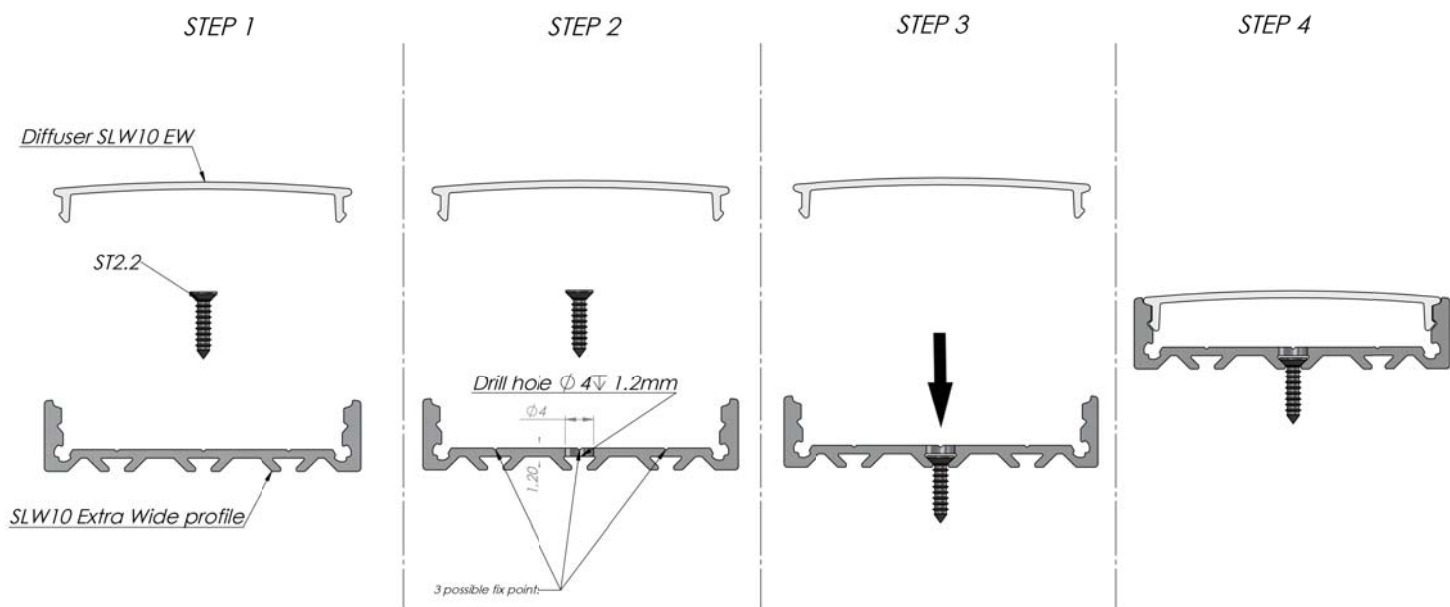
Quality alu LED profiles

www.eltors.lv

Tel: +371 27036310
+371 2 95 77 303
E-mail: ledprofiles.baltics@gmail.com
eltors@inbox.lv

PROFILE SL-WD-10

SLW10_Extra Wide profile mount

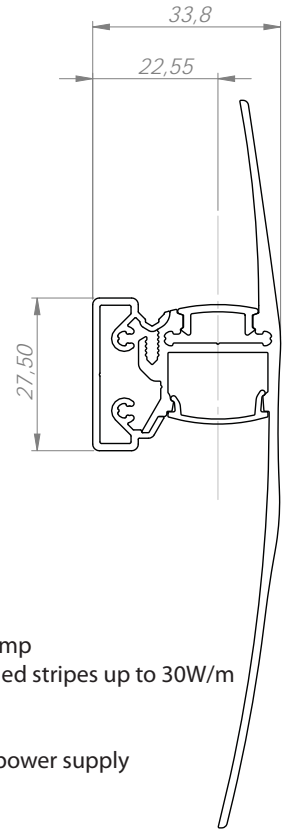


Quality alu LED profiles

www.eltors.lv

Tel: +371 27036310
+371 2 95 77 303
E-mail: ledprofiles.baltics@gmail.com
eltors@inbox.lv

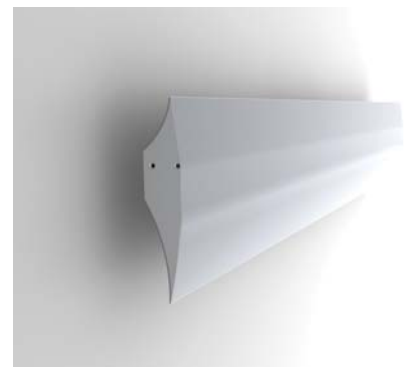
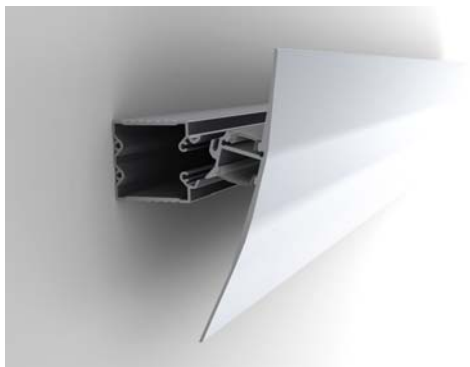
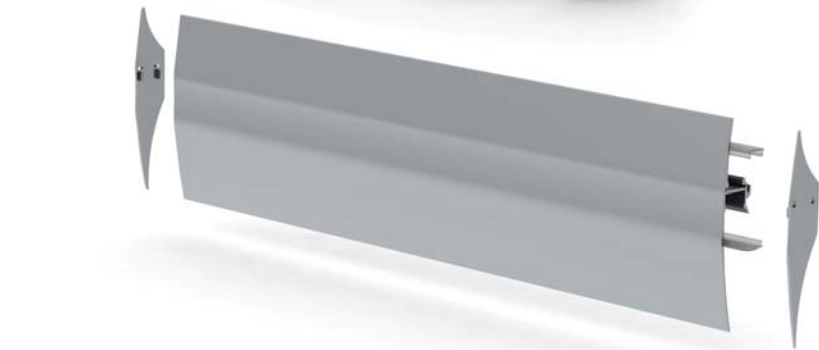
PROFILE WALL-LED-LAMP



FUTURES:

- Decorative modern design Wall LED lamp
- Great heat dissipation for high power led stripes up to 30W/m
- Two side LED light output
- Very fine anodizing surface
- Matching installation/hiding base for power supply
- Aluminum accessories

1:1



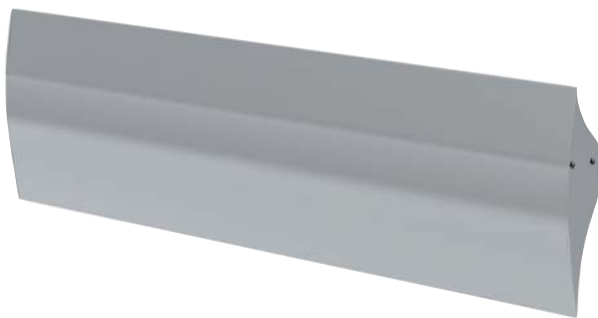
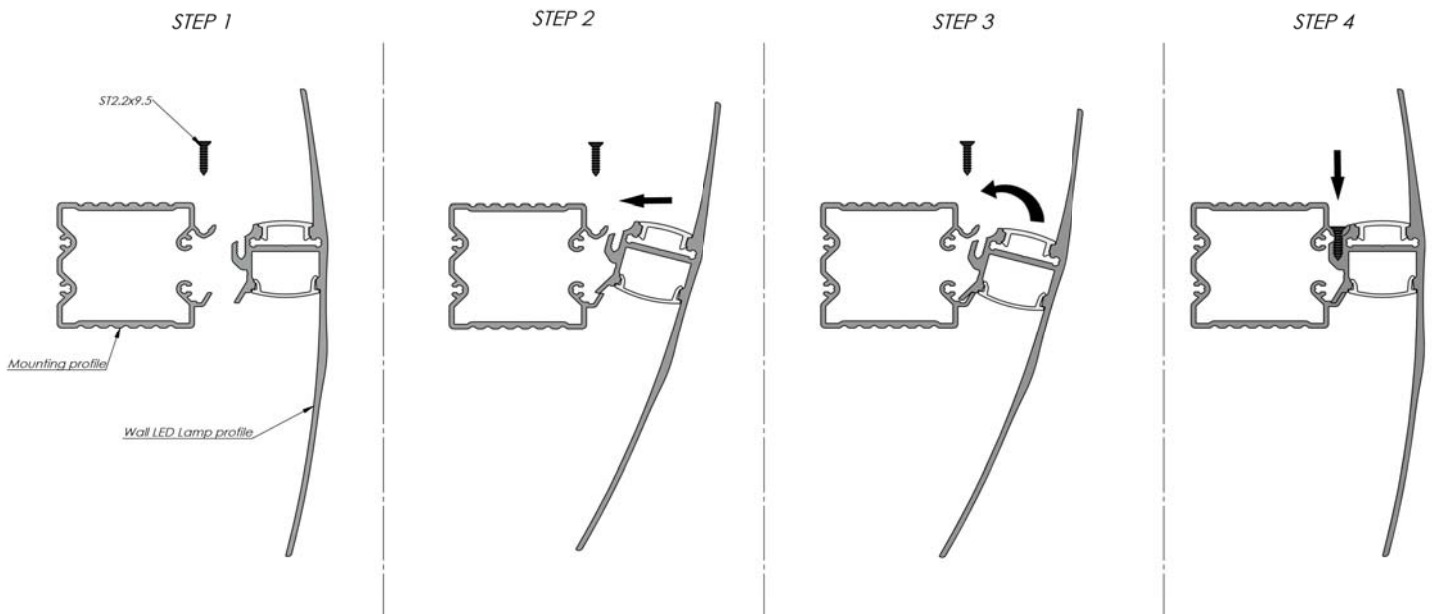
Quality alu LED profiles

www.eltors.lv

Tel: +371 27036310
+371 2 95 77 303
E-mail: ledprofiles.baltics@gmail.com
eltors@inbox.lv

PROFILE WALL-LED-LAMP

Wall LED Lamp mount



Decorative wall installed LED profile with two direction light outputs up and down. Quality finish and very fine anodizing surface give you the chance to build up LED lamp what you can hang on in walking areas such as hotel hallways, cinemas, restaurants, lobby. The lamp can be powered by two high power single colour or RGB LED stripes. Great heat dissipation allow to use high power LEDs up to 30W/m. Installation to the wall is made thru the installation base which working as the hiding housing for the power supply. Wall LED Lamp and the base are sale in 2m units for future cut.

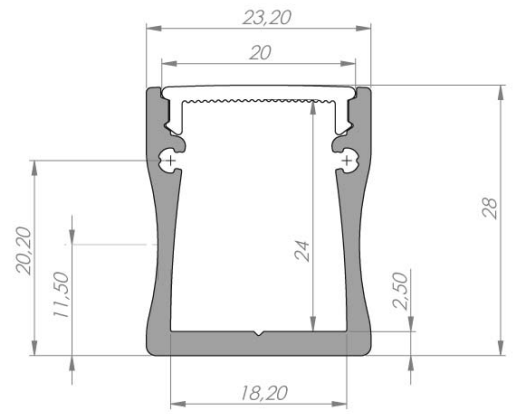


Quality alu LED profiles

www.eltors.lv

Tel: +371 27036310
 +371 2 95 77 303
 E-mail: ledprofiles.baltics@gmail.com
eltors@inbox.lv

PROFILE SL-WD-20



Architectural Design of minimalistic LED profile dedicated for wide LED stripes up to 18mm of wideness. The profile presents itself not the ordinary design which brings the additional value to the Architectural design at the end. Little bitt bigger dimensions allow to place it higher and it will be still| visible from the distance, where other profiles from the same perspective of view may look small. The extraordinary anodizing surface quality, dedicated aluminum end caps and LEDs DOTs FREE frosted diffuser make this profile very attractive to work with. Increased amount of aluminum provide excellent cooling for all kinds of LED stripes including high power. The profile is able to maintain stable the temperature at load up to 25W/m. The SLW20 is coming witch choice of two high quality UV resistant, snap-in diffusers (frosted and transparent) as well as related accessories such as aluminum end caps and mounting clip.



mounting brackets

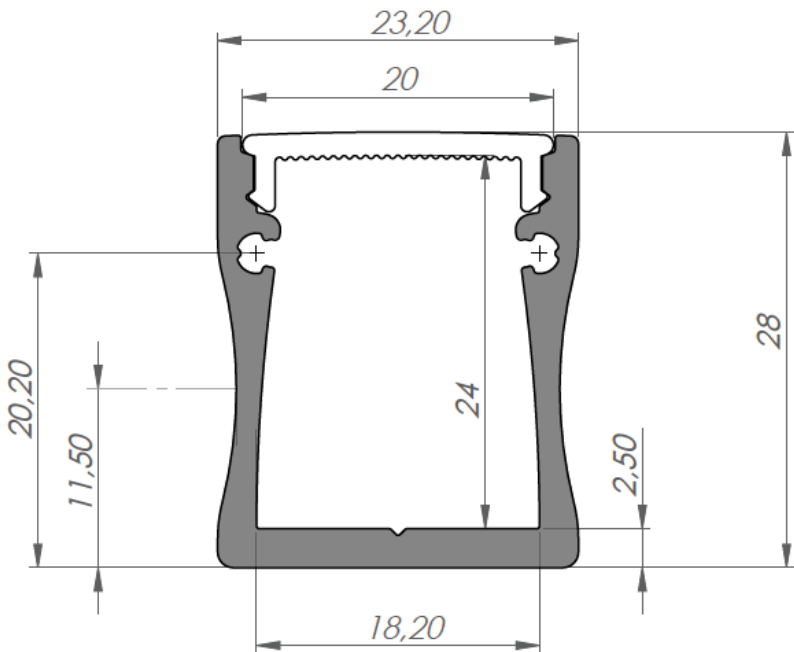


Quality alu LED profiles

www.eltors.lv

Tel: +371 27036310
 +371 2 95 77 303
 E-mail: ledprofiles.baltics@gmail.com
eltors@inbox.lv

PROFILE SL-WD-20

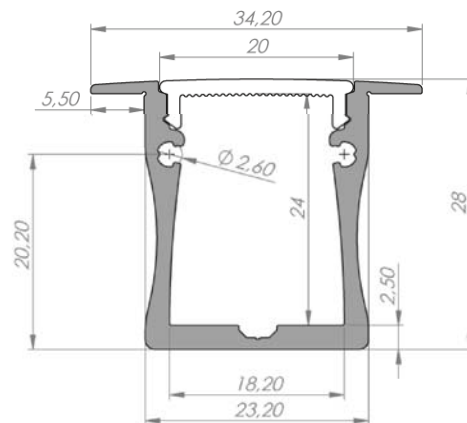


Quality alu LED profiles

www.eltors.lv

Tel: +371 27036310
+371 2 95 77 303
E-mail: ledprofiles.baltics@gmail.com
eltors@inbox.lv

PROFILE SL-WD-R-20



Recess type of the Architectural design of minimalistic LED profile dedicated for wide LED stripes up to 18mm of wideness. The profile is dedicated for the insertion into the gypsum ceiling or other material as walls, store shelves or wood furniture. The little bitt bigger dimensions of the RSLW20 profile allow to place it higher and it will be still visible from the distance, where other profiles from the same perspective of view may look small. The extraordinary anodizing surface quality, dedicated aluminum end caps and LEDs DOTs FREE frosted diffuser make this profile very attractive to work with. Increased amount of aluminum provide excellent cooling for all kinds of LED stripes including high power. The profile is able to maintain stable the temperature at load up to 25W/m. The SLW20 is coming witch choice of two high quality UV resistant, snap-in diffusers (frosted and transparent) as well as related accesories such as aluminum end caps.



Aluminum end caps
SL-WD-R-20

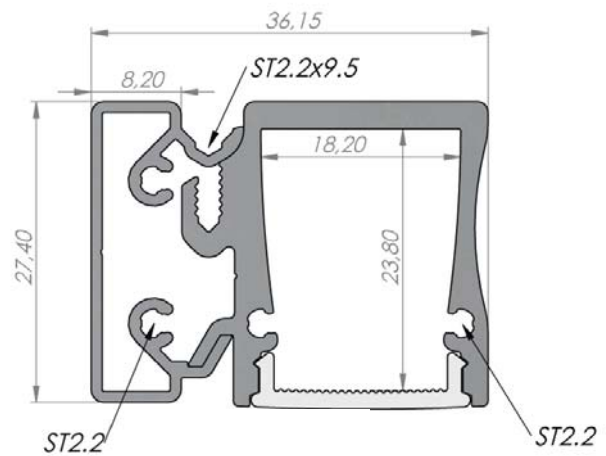
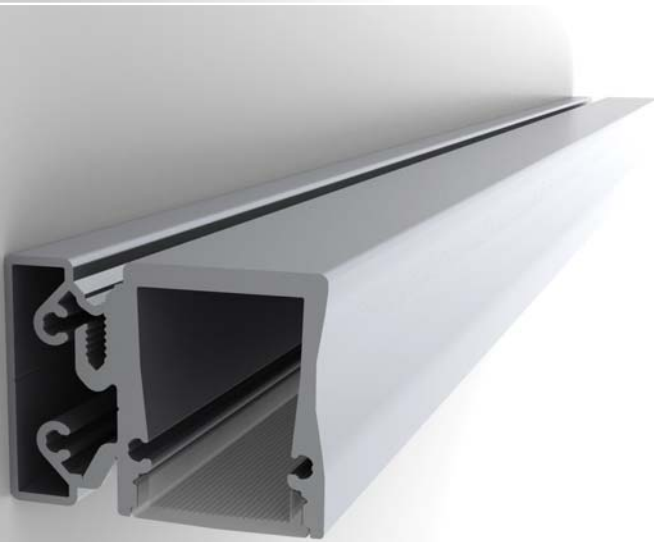
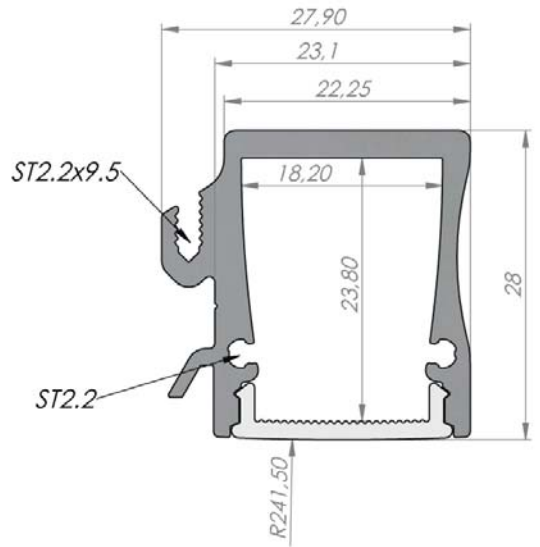


Quality alu LED profiles

www.eltors.lv

Tel: +371 27036310
+371 2 95 77 303
E-mail: ledprofiles.baltics@gmail.com
eltors@inbox.lv

PROFILE SL-WD-20-WALL



end caps
SL-WD-20-WALL



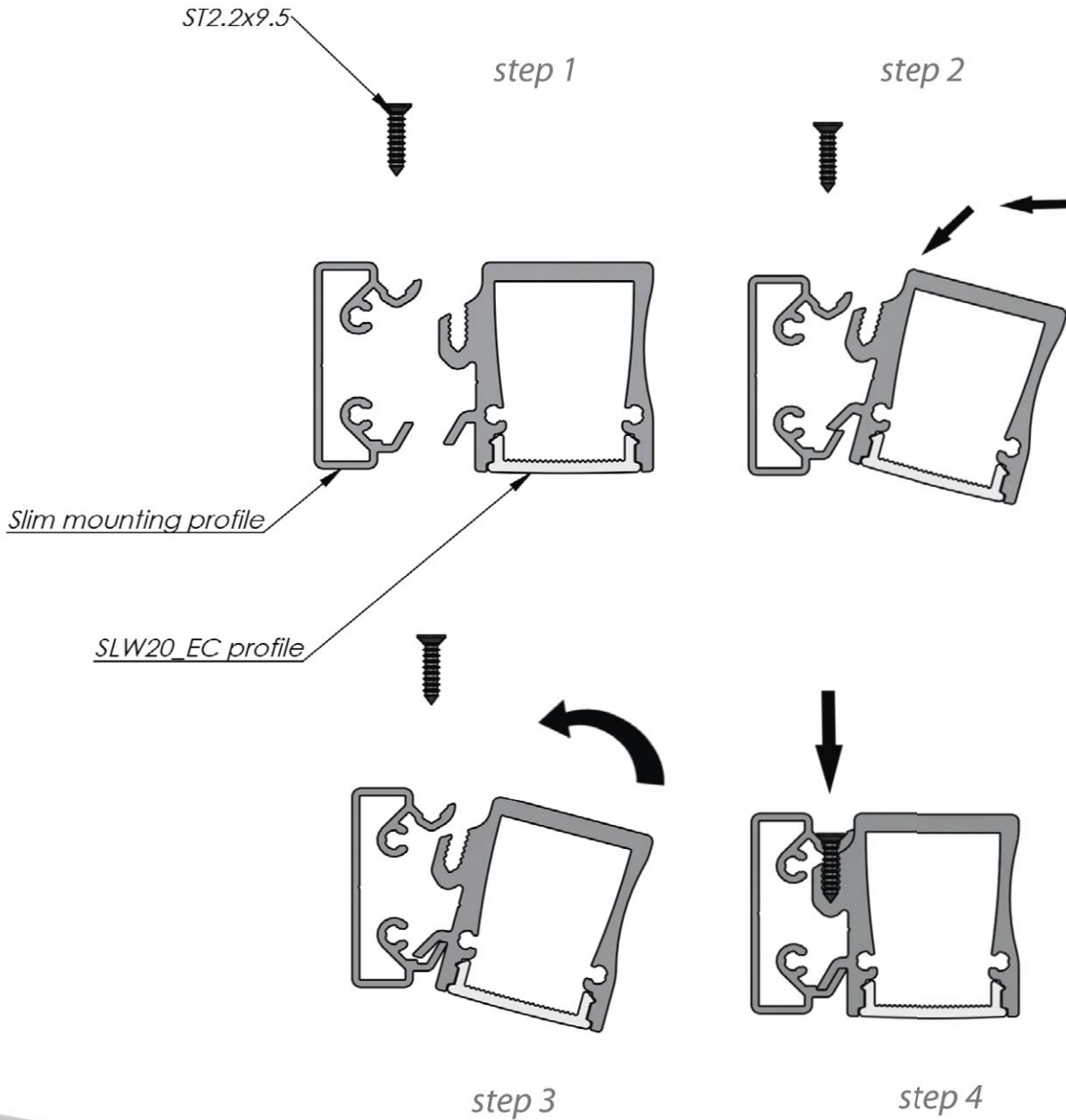
end caps for mounting profile

Quality alu LED profiles

www.eltors.lv

Tel: +371 27036310
+371 2 95 77 303
E-mail: ledprofiles.baltics@gmail.com
eltors@inbox.lv

PROFILE SL-WD-20-WALL



It is modification of the standard SLW20 profile, the profile now is modified to be installed side ways to the mounting base and the wall with the light directed down. Relatively small dimension make this wall lamp looks distinguish and small. Clean minimalistic design expand the list of possible application. The profile provide great heat sink to the LEDs and can contain led stripes up to 18mm wide. Extraordinary quality of the aluminum anodizing surface, UV resistant light diffuser completely "LEDs DOTS FREE" make it the quality product. Lighting profile comes with the choice of two diffusers, frosted and transparent. The profile and base are finish with the aluminum end caps. The base and the lighting profile SLW20B are sale separately.

Quality alu LED profiles

www.eltors.lv

Tel: +371 27036310
 +371 2 95 77 303
 E-mail: ledprofiles.baltics@gmail.com
 eltors@inbox.lv